



Surge arrestors are designed to protect wireless base stations, switching centers and transmission lines from the damaging effects of extreme high voltage surges caused by lightning strikes. The RFS lightning protection devices are designed and tested to the most demanding specifications. They are rated to protect against both direct and indirect multiple strikes in the harshest environments imaginable. Their rugged construction utilizes solid metal housing, and superior plating, which results in outstanding system protection and operating continuity.



FEATURES / BENEFITS

- Superior IM performance for reliable long-term operation
- Excellent electrical performance, low VSWR, low insertion loss
- Waterproof to IP68
- Totally maintenance free
- Compliant to RoHS (EU 2002/95/EC) and CRoHS (China SJ/T11363-2006) i.e. usable on a global basis.

Technical features

STRUCTURE

Product Line		Coaxial Cable Components
Product Type		Surge Arrestor
Surge Arrestor Type		Quarter Wave
Design		90° Stub
Coaxial Cable Type		Foam Dielectric, Ultraflexible Foam Dielectric, Radiating Cable
Connector Interface		4.3-10

MECHANICAL SPECIFICATIONS

Configuration		4.3-10 male - 4.3-10 female (bulkhead)
Connector A		4.3-10 Male
Center Contact Connector A		Brass, silver plated
Outer Contact Connector A		Brass, Tri metal
Connector B		4.3-10 Female bulkhead (protected)
Center Contact Connector B		Brass, silver plated
Outer Contact Connector B		Brass, Tri metal
Body		Brass, Tri metal
Dielectric		PTFE
Gasket		Silicone
Sealing class		IP68
Mounting / Grounding		Bulkhead; Thread for grounding M8
Drill Hole Size	mm (in)	M8



ELECTRICAL SPECIFICATIONS

Frequency Range - MHz		690 - 2700
VSWR, Return Loss	VSWR (dB)	690-2700 MHz: 1.19 (21) 800-1000 MHz: 1.13 (24) 1700-2200 MHz: 1.13 (24)
Insertion Loss, dB (Max)	dB	0.10
3rd Order IM Product @ 2x20 Watts	dBc	-160
Surge current handling capability		mult. 25kA, Pulse 8/20 μ s
Residual pulse		5mJ typically (test pulse 20 kA Pulse 8/20 μ s)
Residual Voltage		100V (test pulse 20 kA Pulse 8/20 μ s)
Average Power		1.8kW @ 1 GHz (at 20°C, sea level, VSWR 1.0)
Peak Power	kW	40kW (at 20°C, sea level, VSWR 1.0)

TEMPERATURE SPECIFICATIONS

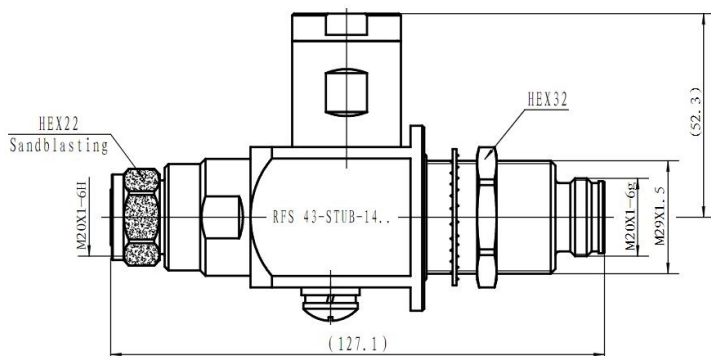
Operation Temperature	°C (°F)	-45 to 85 (-49 to 185)
-----------------------	---------	------------------------

ACCESSORIES

Spare Part / Useful Accessories		GW-16/20 : Grounding Wire Kit
---------------------------------	--	-------------------------------

PACKAGING INFORMATION

Package Quantity		1
------------------	--	---



Outline drawing, dimension in millimeters

External Document Links

[Installation Instruction](#)

Notes

incl. screw M8x12, spring washer 8 mm and washer 8 mm for installation of grounding cables or bus bars