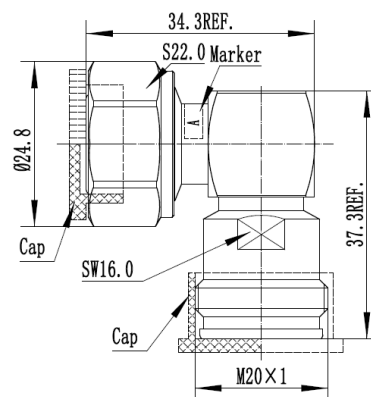




Coaxial Adapter, 4.3-10 Male/Female

Right Angle

FEATURES / BENEFITS



Technical features

STRUCTURE

| | | |
|--------------|--|--------------------------|
| Product Line | | Coaxial Cable Components |
| Product Type | | Coaxial Adapter |

MECHANICAL SPECIFICATIONS

| | | |
|----------------------------|--|-------------------------|
| Connector A | | 4.3-10 Male |
| Center Contact Connector A | | Brass, silver plated |
| Outer Contact Connector A | | Brass, Tri metal plated |
| Connector B | | 4.3-10 Female |
| Center Contact Connector B | | Brass, silver plated |
| Outer Contact Connector B | | Brass, Tri metal plated |
| Dielectric | | PTFE |
| Gasket | | Silicone rubber |
| Sealing class | | IP68, connected |

ELECTRICAL SPECIFICATIONS

| | | |
|-----------------------------------|-----------|------------------------------|
| Frequency Range - MHz | | DC - 6000 |
| VSWR, Return Loss | VSWR (dB) | 0 TO 2 GHz VSWR 1.05 (32.25) |
| | | 2 TO 3 GHz VSWR 1.08 (28.3) |
| | | 3 TO 6 GHz VSWR 1.12 (24.94) |
| Insertion Loss, dB (Max) | dB | 0.05 |
| 3rd Order IM Product @ 2x20 Watts | dBc | -163 |

TEMPERATURE SPECIFICATIONS

| | | |
|-----------------------|---------|------------------------|
| Operation Temperature | °C (°F) | -40 to 85 (-40 to 185) |
|-----------------------|---------|------------------------|

PACKAGING INFORMATION

| | | |
|------------------|--|---|
| Package Quantity | | 1 |
|------------------|--|---|

External Document Links

Notes