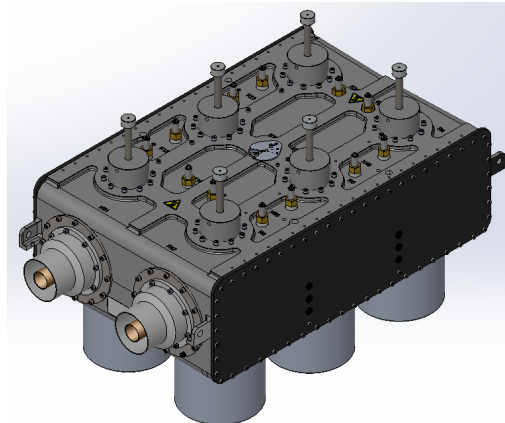




The RFS 6PPXX200C is designed for global filtering applications associated with DTV television transmission. It is a 6-pole natural air-cooled filter incorporating two cross-couplings to meet all mask requirements.

FEATURES / BENEFITS

- Very compact for easy integration into equipment.
- Very low insertion loss (lowest for this size).
- Highest power rating for size/class.
- Tunable over full VHF band (167 – 230 MHz).
- Adjustable bandwidth, available for 6, 7 and 8 MHz channels for global applications.
- External, non-invasive coupling adjustment.
- Tunable for ETSI non-critical, DTTB, ISDB-T critical and ATSC 1.0/ ATSC 3 applications.
- -5 to 55°C degree ambient temperature operation.
- Natural air-cooled.



6PPXX200C Natural Air Cooled Filter

Technical features

GENERAL SPECIFICATIONS

Product Line		Filters
Product Type		Band III (VHF) TV Bandpass Filter
Model		6PPXX200C
Filter type		6 Pole with 2 cross couplings - 200 mm ground plane spacing
Input / Output Connector		1-5/8" EIA, 3-1/8" EIA Unflanged or Flanged Female (Standard)

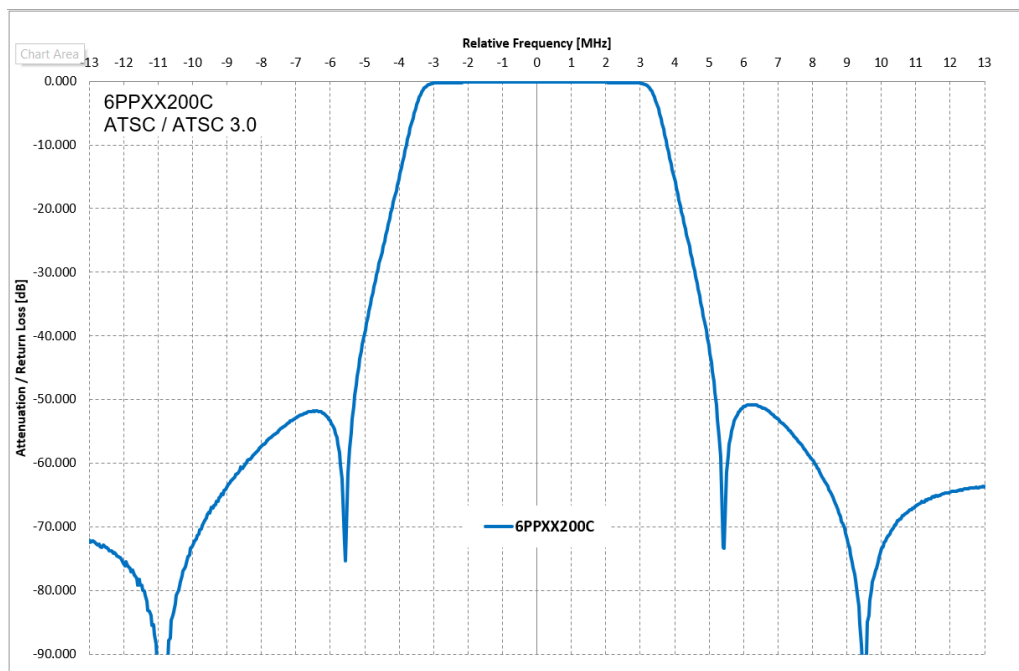
MECHANICAL SPECIFICATIONS

Dimensions-WxDxH	mm (in)	439 x 828 x 478 (17.3 x 32.6 x 18.8)
Color		Black
Weight	kg (lb)	40 (104)



SPECIFICATIONS

Out-of-Band Emissions Mask		ETSI non-critical/ DTTB	DVB-T ETSI non-critical	ISDB-T critical	ATSC1.0 and ATSC 3
Channel Bandwidths	MHz	8	7	6	6
Frequency Range	MHz	167-230			
Input Power Rating	kW	13.1 @ 171MHz 13.1 @ 226MHz	11.5 @ 177.5MHz 11.5 @ 226.5MHz	10 @ 173MHz 10 @ 219MHz	11 @ 177MHz 11 @ 213MHz
Insertion Loss at Fc	dB	<0.15 @ 171MHz <0.15 @ 226MHz	<0.15 @ 177.5MHz <0.15 @ 226.5MHz	<0.18 @ 173MHz <0.18 @ 219MHz	<0.16 @ 177MHz <0.16 @ 213MHz
Attenuation	dB	>4.0 at fc ±4.2 MHz >20.0 at fc ±6 MHz >50.0 at fc ±12 MHz	<0.50 at fc ±3.33 MHz >4 at fc ±3.7 MHz >18.0 at fc ±5.25 MHz >41.0 at fc ±10.5 MHz >53.0 at fc ±11.75 MHz	<0.70 at fc ±2.79 MHz 9.0 at fc ±3.15 MHz >25.0 at fc ±4.5 MHz >52.0 at fc ±9.0 MHz	<0.25 at fc ±2.69 MHz <0.3 at fc ±2.915 MHz >3.0 at fc ±3.5 MHz >31.0 at fc ±6.0 MHz >63.0 at fc ±9.0 MHz >58.0 at fc ±10.0 MHz NOTE 1
VSWR average across carriers		<1.1	<1.12	<1.2	<1.1
Return Loss Average Across Carriers	dB	26.4	25	20.8	26.4
Group Delay Variation	ns	<400 at fc ± 3.8 MHz	<350 at fc ± 3.33 MHz	<695 at fc ± 2.79 MHz	<150 at fc ±2.69 MHz <290 at fc ±2.915 MHz
Maximum Operating Temperature	°C (°F)	80 (176)			
Ambient Temperature Range	°C (°F)	-5 to 55 (23 to 131)			
Maximum Temperature Rise	°C (°F)	40 (104)			
Freq Drift - Tx Operation	kHz/°C(°F)	<2 (1.2)			
Freq Drift - Ambient Temperature	kHz/°C(°F)	<2 (1.2)			

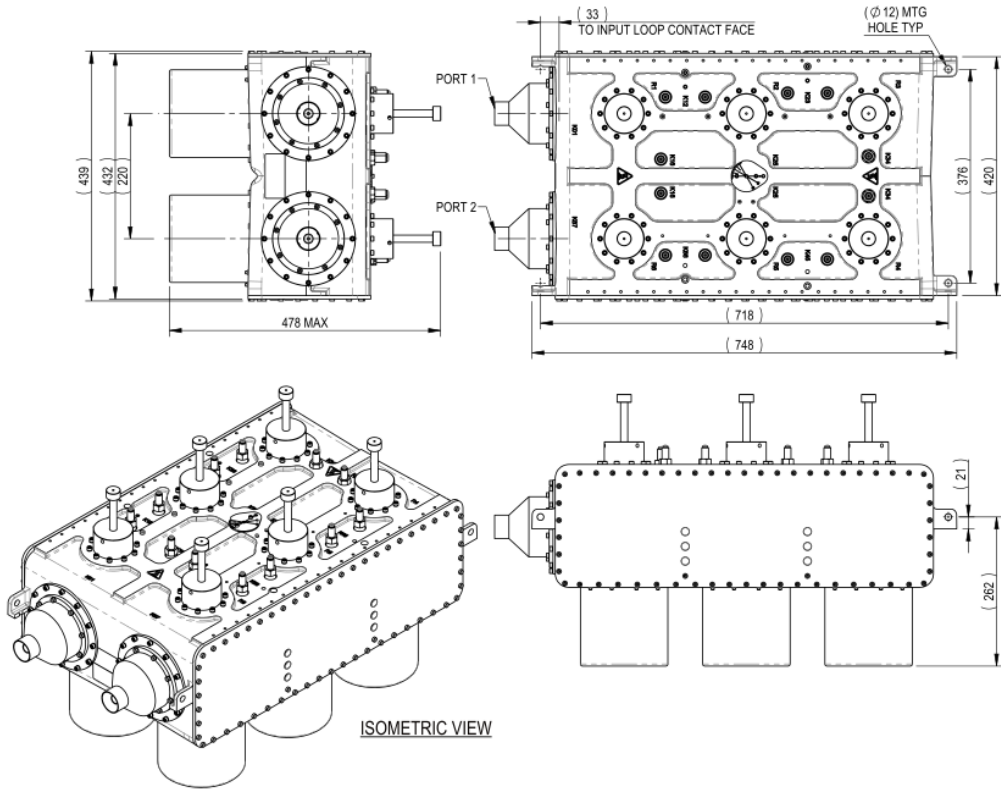


6PPXX200C Filter Response - ATSC Mask



6PPXX200C

Band III (VHF) PeakPower+™ bandpass filter



6PPXX200C Filter Dimensions

External Document Links

Notes

NOTE 1. Tx Intermod shoulders at 37 dB.