



716M-LCF114-D01

7-16 DIN Male Connector for 1-1/4" Coaxial Cable, OMNI FIT™ Premium, Straight, O-Ring and compression sealing

OMNI FIT™ high performance connectors are designed for use with both CELLFLEX® (copper) and CELLFLEX® Lite (aluminium) cables. They are designed specifically to provide the highest quality connector-cable interface while simplifying and speeding up connector attachment. All RFS connectors are fully tested for mechanical and electrical compliance to industry specifications.

The 7-16 connector is the most rugged RF connection meeting all requirements even under the most severe environmental conditions. Sealing against outer conductor and jacket by means of O-Ring and 360° compression fit. Multifunctional, self-lubricating HighTech polymer assembly locks on cable corrugation, avoids electrochemical potential differences and compression-fits to the jacket.

FEATURES / BENEFITS

- Ultra high PIM performance i.e. reduced interference leading to high customer satisfaction
- Two-piece design i.e. visual inspection of interlocking leads to improved installation security
- OMNI FIT™ concept i.e. streamlined order management and reduced stock level
- Watertight sealing in mated and unmated condition, i.e. reduced efforts during installation and improved security during operation
- Unique NiTin plating i.e. extreme resistance against corrosion even under hardest climatic and environmental circumstances
- Multi-thread (Tristart) design i.e. simplified and accelerated tightening process
- RoHS (EU) and CRoHS (China) compliant i.e. can be used on a global basis



OMNI FIT™ Premium Connectors

Technical features

GENERAL SPECIFICATIONS

Transmission Line Type		Coaxial Cable
Cable Size		1-1/4
Cable Type		Foam Dielectric
Model Series		UCF114-50 Series, LCFS114-50 Series, RCF114-50 Series
Connector Interface		7-16 DIN
Connector Type		OMNI FIT™ PREMIUM Straight
Sealing Method		O-Ring + 360° Compression
Gender		Male

ELECTRICAL SPECIFICATIONS

Nominal Impedance, ohms	Ohm	50
3rd Order IM Product @ 2x20 Watts	dBc	-163 ; typical -167
Maximum Frequency	GHz	3.6
VSWR, Return Loss	VSWR (dB)	0 < f ≤ 1.0 GHz: 1.02 (40) 1.0 < f ≤ 2.2 GHz: 1.04 (34.1) 2.2 < f ≤ 2.7 GHz: 1.06 (30.7) 2.7 < f ≤ 3.6 GHz: 1.08 (28.3)

MECHANICAL SPECIFICATIONS

Plating Outer/Inner		NiTIn/Silver
Length	mm (in)	75.25 (2.96)
Outer Diameter	mm (in)	49.5 (1.95)
Weight	kg (lb)	0.35 (0.77)
Inner Contact Attachment		Spring Finger
Outer Contact Attachment		360° clamping



716M-LCF114-D01

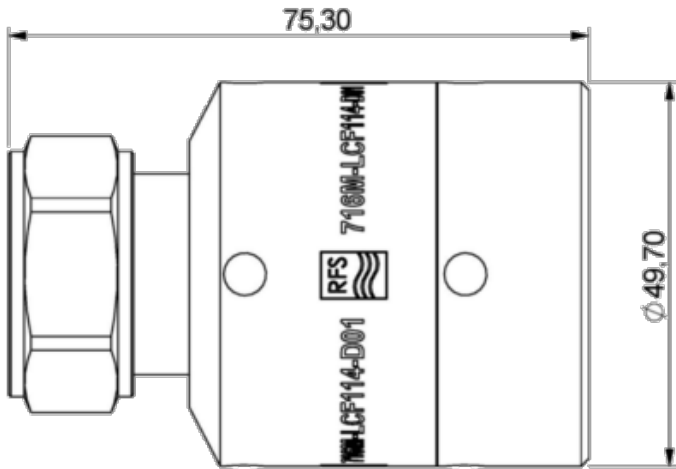
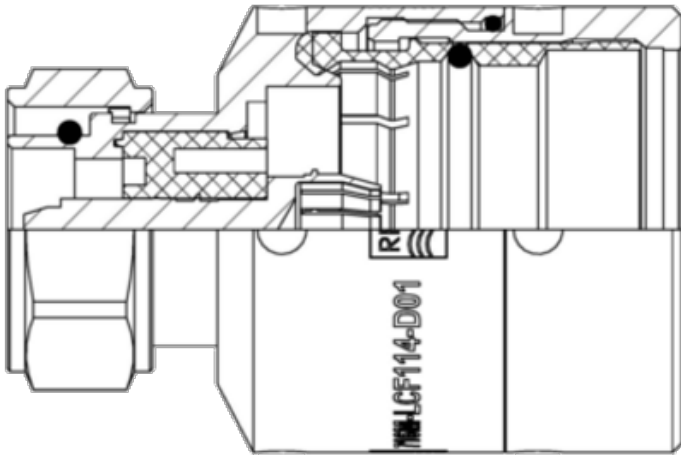
7-16 DIN Male Connector for 1-1/4" Coaxial Cable, OMNI FIT™ Premium, Straight, O-Ring and compression sealing

ACCESSORIES

Poly Hook Spanner	mm (in)	PHS 60-90-5 Ø 60-90 (2.3-3.5) Pin 5 (0.2)
Trimming Tool		TRIM-SET-L114-D01 TRIM-LCF114-D01-A

TESTING AND ENVIRONMENTAL

Waterproof Level		IP68
------------------	--	------



External Document Links

[Installation Instruction](#)

Notes