



APXVB4L26V-C-I20

10-port Antenna, 2.6m, 698-960/1710-2690/1710-2690/1710-2690/1710-2690MHz, 65deg, 17.1/18.0/17.5/18.2/17.6dBi, 0-10deg, Integrated RET

FEATURES / BENEFITS

- 2 ports / 1 cross pol system in low band (698-960MHz)
- 8 ports / 4 cross pol systems in high band (1710-2690MHz)
- Supporting 4x4 MIMO in high band
- Integrated and field replaceable SRET
- ACU HW Version -2.02 / SW Version -2.72
- Compliant with AISG V2.0 and 3GPP



Technical features

ELECTRICAL SPECIFICATIONS

Electrical Specification Header		Low Band Array (698-960 MHz) [R1]		
Frequency Band	MHz	698-806	790-894	880-960
Gain Typical	dBi	16.3	17.1	17.1
Gain Over all Tilts	dBi	16 +/- 0.3	16.6 +/- 0.5	16.6 +/- 0.5
Azimuth Beamwidth 3dB	Deg	66.3 +/- 1.4	64.3 +/- 1.8	64.1 +/- 1.3
Elevation Beamwidth 3dB	Deg	8.9 +/- 0.7	7.8 +/- 0.6	7.2 +/- 0.3
Cross Polar Discrimination at Boresight	dB	23.4	24.6	25.7
Cross Polar Discrimination over Sector	dB	12.1	9	10.6
F/B at +/-30deg Total Power	dB	23.8	25.7	25.4
First Upper Side Lobe Suppression	dB	21.7	19.1	16.4
Electrical Downtilt	Deg	0 to 10		
Cross Polar Isolation	dB	26		
Interband Isolation	dB	26		
VSWR	-	1.5		
Passive Intermodulation (3rd Order, 2 x 43dBm)	dBc	-153		
Maximum Effective Power per Port	Watt	350		



APXVB4L26V-C-I20

10-port Antenna, 2.6m, 698-960/1710-2690/1710-2690/1710-2690/1710-2690MHz, 65deg, 17.1/18.0/17.5/18.2/17.6dBi, 0-10deg, Integrated RET

ELECTRICAL SPECIFICATIONS

Electrical Specification Header		High Band Array (1710-2690 MHz) [Y1]			
Frequency Band	MHz	1710-1880	1920-2170	2300-2400	2490-2690
Gain Typical	dBi	16.4	17.8	17.2	18
Gain Over all Tilts	dBi	15.9 +/- 0.5	17.1 +/- 0.7	16.8 +/- 0.4	17.3 +/- 0.7
Azimuth Beamwidth 3dB	Deg	62.1 +/- 3.5	63 +/- 5.8	67 +/- 5.6	59 +/- 3.4
Elevation Beamwidth 3dB	Deg	8.1 +/- 0.6	6.8 +/- 0.6	6.1 +/- 0.5	5.4 +/- 0.2
Cross Polar Discrimination at Boresight	dB	25.8	21.1	12.9	15
Cross Polar Discrimination over Sector	dB	9	6.3	8.8	6.5
F/B at +/-30deg Total Power	dB	21.4	22.3	22.4	22.8
First Upper Side Lobe Suppression	dB	16.5	13.9	14	15
Electrical Downtilt	Deg	0 to 10			
Cross Polar Isolation	dB	26			
Interband Isolation	dB	26			
VSWR	-	1.5			
Passive Intermodulation (3rd Order, 2 x 43dBm)	dBc	-153			
Maximum Effective Power per Port	Watt	250			

ELECTRICAL SPECIFICATIONS

Electrical Specification Header		High Band Array (1710-2690 MHz) [Y2]			
Frequency Band	MHz	1710-1880	1920-2170	2300-2400	2490-2690
Gain Typical	dBi	16.5	17.5	16.8	17.3
Gain Over all Tilts	dBi	15.8 +/- 0.7	16.8 +/- 0.7	16.3 +/- 0.5	16.7 +/- 0.6
Azimuth Beamwidth 3dB	Deg	63.6 +/- 5.4	64.7 +/- 5.7	67.9 +/- 5.1	60.6 +/- 4.3
Elevation Beamwidth 3dB	Deg	6.8 +/- 0.6	5.7 +/- 0.7	5.2 +/- 0.4	4.7 +/- 0.3
Cross Polar Discrimination at Boresight	dB	24.1	21.7	15.8	16.2
Cross Polar Discrimination over Sector	dB	9.4	6.4	8.6	6.1
F/B at +/-30deg Total Power	dB	19.7	22.1	22.4	22.3
First Upper Side Lobe Suppression	dB	17.4	17.2	17.7	15.5
Electrical Downtilt	Deg	0 to 10			
Cross Polar Isolation	dB	26			
Interband Isolation	dB	26			
VSWR	-	1.5			
Passive Intermodulation (3rd Order, 2 x 43dBm)	dBc	-153			
Maximum Effective Power per Port	Watt	250			



APXVB4L26V-C-I20

10-port Antenna, 2.6m, 698-960/1710-2690/1710-2690/1710-2690/1710-2690MHz, 65deg, 17.1/18.0/17.5/18.2/17.6dBi, 0-10deg, Integrated RET

ELECTRICAL SPECIFICATIONS

Electrical Specification Header		High Band Array (1710-2690 MHz) [Y3]			
Frequency Band	MHz	1710-1880	1920-2170	2300-2400	2490-2690
Gain Typical	dBi	16.4	17.8	17.4	18.2
Gain Over all Tilts	dBi	15.8 +/- 0.6	17 +/- 0.8	16.8 +/- 0.6	17.2 +/- 1
Azimuth Beamwidth 3dB	Deg	62.4 +/- 5	63.5 +/- 5.7	66.9 +/- 5.6	59.3 +/- 3.1
Elevation Beamwidth 3dB	Deg	8.2 +/- 0.6	6.8 +/- 0.7	6 +/- 0.4	5.4 +/- 0.3
Cross Polar Discrimination at Boresight	dB	20.7	18.6	12.7	17.3
Cross Polar Discrimination over Sector	dB	7.5	6.9	7.8	6.5
F/B at +/-30deg Total Power	dB	20.8	21.1	22.1	22.2
First Upper Side Lobe Suppression	dB	13.4	13.2	12.2	13.7
Electrical Downtilt	Deg	0 to 10			
Cross Polar Isolation	dB	26			
Interband Isolation	dB	26			
VSWR	-	1.5			
Passive Intermodulation (3rd Order, 2 x 43dBm)	dBc	-153			
Maximum Effective Power per Port	Watt	250			

ELECTRICAL SPECIFICATIONS

Electrical Specification Header		High Band Array (1710-2690 MHz) [Y4]			
Frequency Band	MHz	1710-1880	1920-2170	2300-2400	2490-2690
Gain Typical	dBi	16.4	17.6	16.8	17.4
Gain Over all Tilts	dBi	15.8 +/- 0.6	16.8 +/- 0.8	16.3 +/- 0.5	16.7 +/- 0.7
Azimuth Beamwidth 3dB	Deg	63.9 +/- 6.1	64.5 +/- 4.6	68.2 +/- 4.9	60.9 +/- 3.8
Elevation Beamwidth 3dB	Deg	6.7 +/- 0.5	5.6 +/- 0.7	5.2 +/- 0.4	4.7 +/- 0.3
Cross Polar Discrimination at Boresight	dB	20.6	19.2	15.7	16.8
Cross Polar Discrimination over Sector	dB	6.4	5.7	8.9	6.5
F/B at +/-30deg Total Power	dB	20.4	21.8	22	22.3
First Upper Side Lobe Suppression	dB	17.2	17.6	17.9	17.3
Electrical Downtilt	Deg	0 to 10			
Cross Polar Isolation	dB	26			
Interband Isolation	dB	26			
VSWR	-	1.5			
Passive Intermodulation (3rd Order, 2 x 43dBm)	dBc	-153			
Maximum Effective Power per Port	Watt	250			



APXVB4L26V-C-I20

10-port Antenna, 2.6m, 698-960/1710-2690/1710-2690/1710-2690/1710-2690MHz, 65deg, 17.1/18.0/17.5/18.2/17.6dBi, 0-10deg, Integrated RET

ELECTRICAL SPECIFICATIONS

Impedance	Ohm	50
Polarization	Deg	±45°

MECHANICAL SPECIFICATIONS

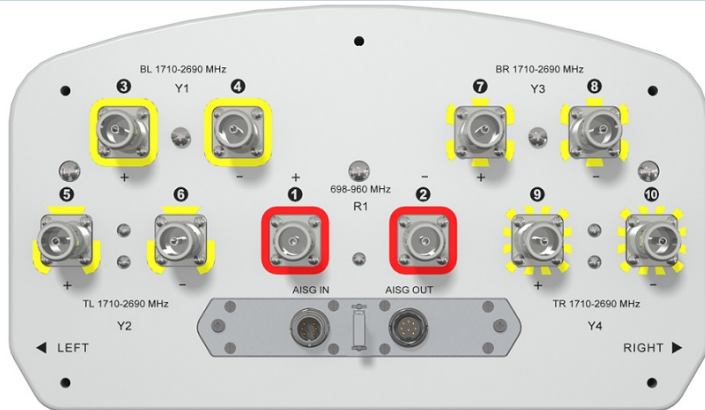
Dimensions - H x W x D	mm (in)	2690 x 350 x 200 (105.9 x 13.8 x 7.9)
Weight (Antenna Only)	kg (lb)	34.5 (76.1)
Weight (Mounting Hardware only)	kg (lb)	4.5 (9.9)
Packing size- HxWxD	mm (in)	2970 x 425 x 275 (116.9 x 16.7 x 10.8)
Shipping Weight	kg (lb)	51.5 (113.5)
Connector type		10 x 7/16 female/bottom + 2 AISG connectors (1 male, 1 female)
Radome Material / Color		Fiberglass / Light Grey RAL7035

TESTING AND ENVIRONMENTAL

Temperature Range	°C (°F)	-40 to 60 (-40 to 140)
Lightning protection		Direct Ground
Survival/Rated Wind Velocity	km/h	200 (150)
Wind Load @Rated Wind Front	N	1189
Wind Load @Rated Wind Side	N	617
Wind Load @Rated Wind Rear	N	673

ORDERING INFORMATION

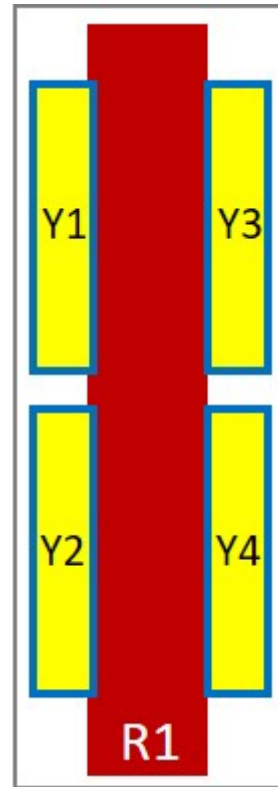
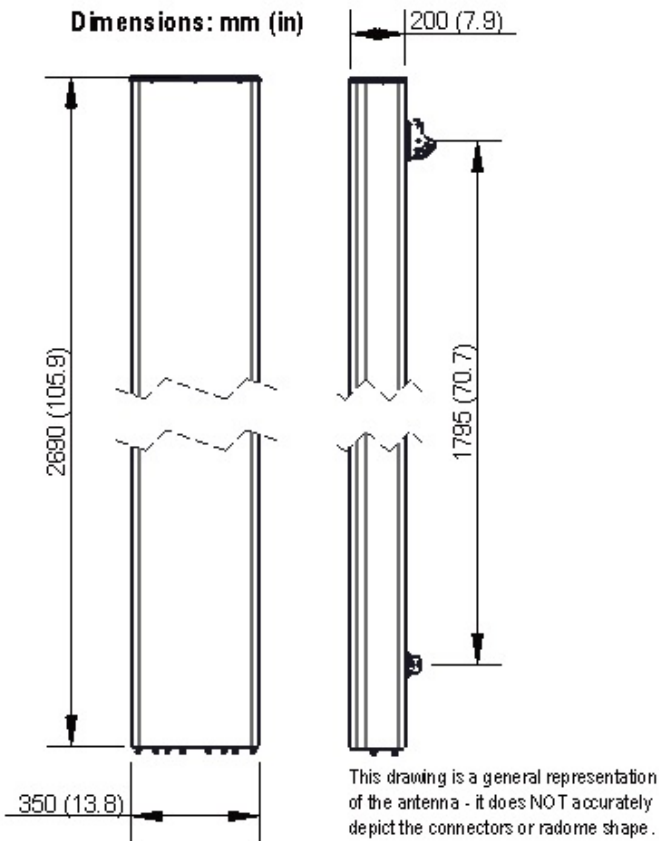
Order No.	Configuration	Mounting Hardware	Mounting Pipe Diameter	Shipping Weight
APXVB4L26V-C-I20	Integrated RET(ACU-I20-B5)	APM50-B1	50-110mm	51.5 Kg





APXVB4L26V-C-I20

10-port Antenna, 2.6m, 698-960/1710-2690/1710-2690/1710-2690/1710-2690MHz, 65deg, 17.1/18.0/17.5/18.2/17.6dBi, 0-10deg, Integrated RET



External Document Links

[APM50_Series_Installation_Instructions](#)

Notes

- All electrical parameters are compliant with BASTA NGMN 11.1 requirements.
- For additional mounting information please click "External Document Links".
- **Radiating patterns:** [Request pattern files](#)