



**APXVBLL06-C-A20**

RF X-TREME™ Triple Band Antenna, 698-960/1695-2690/1695-2690MHz, 65deg, 10.6/14.5/14.8dBi, 0.6, VET, 5/5-18/5-18deg

This antenna is an ideal choice for triple band site upgrades for high traffic areas. It can be used for multiple bands such as LTE 700, Digital Dividend, CDMA, GSM, DCS, UMTS and LTE 2.6

**FEATURES / BENEFITS**

- Triple band cross-polarized with 3 arrays (6 ports), 1x698-960 / 2x1695-2690
- Ultra-broadband design for LTE 700, LTE 800 and LTE 2600
- Variable electrical downtilt on high band
- High Band Left & Right tilt together
- Enhanced tilt range — ideal for applications in dense areas
- Enable MIMO 4x4 or 4-way RX diversity — Ideal solution for LTE advanced
- Quick and easy to install — reduces installation time and costs



**Technical features**

**ELECTRICAL SPECIFICATIONS**

Electrical Specification Header		Low Band Array (698-960 MHz) [R1]		
Frequency Band	Mhz	698-806	806 - 896	880 - 960
Gain Typical	dBi	10.3	10.5	10.6
Gain Over All Tilts	dBi	9.8 +/- .5	10.3 +/- .2	10.3 +/- .3
VSWR	-	1.5:1		
Return Loss	dB	14		
Cross Polar Isolation	dB	20		
3rd Order IMP 2 x 43dBm	dBc	-153		
Maximum Effective Power per Port	Watts	200		
Azimuth Beamwidth 3dB	Deg	73.9+/-5.2	69.9+/-2.5	67.4+/-2.9
Cross Polar Discrimination at Boresight	dB	15.4	18.2	17.1
Cross Polar Discrimination over Sector	dB	8.6	4.3	2.1
F/B at +/-30 Total Power	dB	19.1	20.1	18.5
Elevation Beamwidth 3 dB	Deg	44.6+/-3.7	41.1+/-2.2	38.8+/-1.6
Electrical Downtilt	Deg	5		



**APXVBLL06-C-A20**

RF X-TREME™ Triple Band Antenna, 698-960/1695-2690/1695-2690MHz, 65deg, 10.6/14.5/14.8dBi, 0.6, VET, 5/5-18/5-18deg

**ELECTRICAL SPECIFICATIONS**

Electrical Specification Header		High Band Left Array (1695-2690 MHz) [Y1]				
Frequency Band	Mhz	1695 - 1880	1850 - 1990	1920 - 2200	2300 - 2400	2400 - 2690
Gain Typical	dBi	13.3	13.7	14.1	14.3	14.5
Gain Over All Tilts	dBi	12.6 +/- 0.7	13.3 +/-0.4	13.6 +/- 0.5	13.6 +/- 0.7	14.0 +/- 0.5
VSWR	-	1.5:1				
Return Loss	dB	14				
Cross Polar Isolation	dB	25				
3rd Order IMP 2 x 43dBm	dBc	-153				
Maximum Effective Power per Port	Watts	200				
Azimuth Beamwidth 3dB	Deg	71 +/-8.4	66.2 +/-6.1	62.6+/-7.9	62.3+/-2.6	62 +/-5.4
Cross Polar Discrimination at Boresight	dB	17.9	18.1	17.9	17.3	21.8
Cross Polar Discrimination over Sector	dB	7	4.3	1.9	2.8	6.7
F/B at +/-30 Total Power	dB	18.3	19.1	19.6	20.5	21.6
Elevation Beamwidth 3 dB	Deg	18 +/- 1.5	16.7+/-0.9	15.5+/-1.4	14.1 +/- 1.1	12.6+/-1
Electrical Downtilt	Deg	5-18				
Upper Side Lobe Suppression Peak to +20	dB	18.8	19.3	18.9	17.6	18.2

**ELECTRICAL SPECIFICATIONS**

Electrical Specification Header		High Band Right Array (1695-2690 MHz) [Y2]				
Frequency Band	Mhz	1695 - 1880	1850 - 1990	1920 - 2200	2300 - 2400	2400 - 2690
Gain Typical	dBi	13.4	13.7	14.1	14.3	14.8
Gain Over All Tilts	dBi	12.7 +/- 0.7	13.3 +/-0.4	13.5 +/- 0.6	13.6 +/- 0.7	14.1 +/- 0.7
VSWR	-	1.5:1				
Return Loss	dB	14				
Cross Polar Isolation	dB	25				
3rd Order IMP 2 x 43dBm	dBc	-153				
Maximum Effective Power per Port	Watts	200				
Azimuth Beamwidth 3dB	Deg	69.4+/-6.6	65.5+/-4.9	62.9+/-5.2	63.6+/-4.4	61.5+/-5.6
Cross Polar Discrimination at Boresight	dB	18.4	18.2	18.8	16.4	20.8
Cross Polar Discrimination over Sector	dB	6.9	4.3	2.7	2.2	7.5
F/B at +/-30 Total Power	dB	17.8	19.6	19.6	19.9	21.6
Elevation Beamwidth 3 dB	Deg	17.8+/-1.3	16.8+/-0.9	15.7+/-1.5	14.2+/-0.9	12.7+/-0.9
Electrical Downtilt	Deg	5-18				
Upper Side Lobe Suppression Peak to +20	dB	20	20.3	19.9	17.9	19



**APXVBLL06-C-A20**

RF X-TREME™ Triple Band Antenna, 698-960/1695-2690/1695-2690MHz, 65deg, 10.6/14.5/14.8dBi, 0.6, VET, 5/5-18/5-18deg

**ELECTRICAL SPECIFICATIONS**

Impedance	Ohm	50
Polarization	Deg	±45°

**MECHANICAL SPECIFICATIONS**

Dimensions - H x W x D	mm (in)	609 x 340 x 200 (24 x 13.4 x 7.9)
Weight (Antenna Only)	kg (lb)	8.1 (17.9)
Weight (Mounting Hardware only)	kg (lb)	4.2 (9.3)
Packing size- HxWxD	mm (in)	710 x 420 x 385 (28 x 16.5 x 15.2)
Shipping Weight	kg (lb)	14.4 (31.7)
Connector type		6x 7-16 Long Neck Female + 2x AISG 1xFemale, 1xMale/Bottom
Radome Material / Color		ASA / Light Grey RAL7035

**TESTING AND ENVIRONMENTAL**

Temperature Range	°C (°F)	-40 to 60 (-40 to 140 )
Lightning protection		DC Ground
Survival/Rated Wind Velocity	km/h	240 (160 )
Wind Load @Rated Wind Front	N	234
Wind Load @Rated Wind Side	N	151
Wind Load @Rated Wind Rear	N	253

**ORDERING INFORMATION**

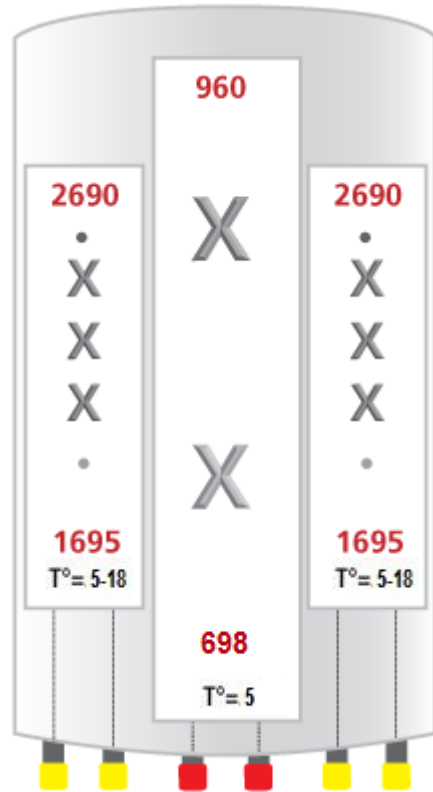
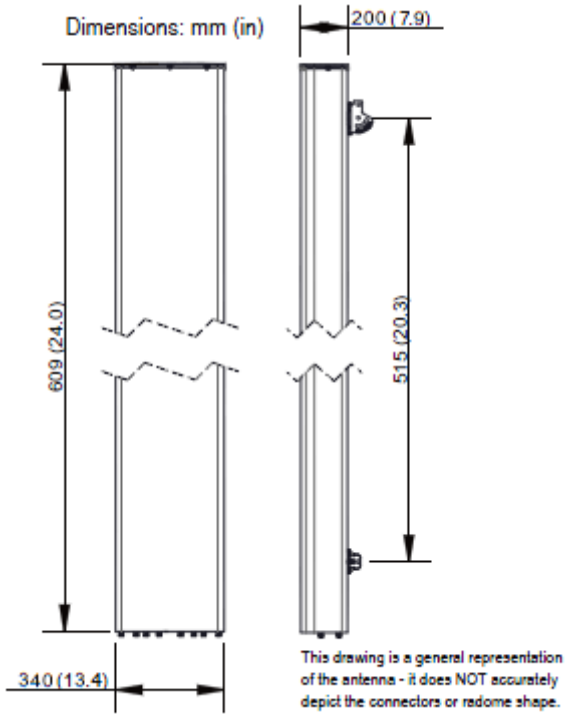
Order No.	Configuration	Mounting Hardware	Mounting pipe Diameter	Weight
APXVBLL06-C	Manual RET	APM40-6	50-120mm	11.8 Kg
APXVBLL06-C-A20	External RET included	APM40-6	50-120mm	12.3 Kg





**APXVBLL06-C-A20**

RF X-TREME™ Triple Band Antenna, 698-960/1695-2690/1695-2690MHz, 65deg, 10.6/14.5/14.8dBi, 0.6, VET, 5/5-18/5-18deg



External Document Links

[APM40\\_Series\\_Installation\\_Instructions](#)

Notes

- All electrical parameters are compliant with BASTA NGMN 11.1 requirements.
- For additional mounting information please click "External Document Links".

• Radiating patterns: [Request pattern files](#)