



APXVBLL15H_43-C-I20

Triple Band Antenna, 694-960/1695-2690/1695-2690MHz, 65deg, 15.6/18.1/18.3dBi, 1.5m, 2-14/2-12/2-12deg, Integrated RET

FEATURES / BENEFITS

- 2 ports / 1 cross pol system in low band (694-960MHz)
- 4 ports / 2 cross pol systems in high band (1695-2690MHz)
- Supporting 4x4 MIMO in high band
- Integrated and field replaceable SRET
- ACU HW Version -HRLS170901H1.00
- Compliant with AISG V2.0 and 3GPP



Technical features

ELECTRICAL SPECIFICATIONS

Electrical Specification Header		Low Band Array (694-960 MHz) [R1]		
Frequency Band	MHz	694 - 806	790 - 894	880 - 960
Gain Typical	dBi	14.7	15.3	15.6
Gain Over all Tilts	dBi	14.2 +/- 0.5	14.8 +/- 0.5	15.1 +/- 0.5
Azimuth Beamwidth 3dB	Deg	68.7 +/- 2	65.9 +/- 2.5	62.9 +/- 1.3
Elevation Beamwidth 3dB	Deg	15.1 +/- 1	13.4 +/- 0.5	12.6 +/- 0.5
Cross Polar Discrimination at Boresight	dB	20	21	24
Cross Polar Discrimination over Sector	dB	8	8	7
F/B at +/-30deg Total Power	dB	26	25	24.3
First Upper Side Lobe Suppression	dB	17	17	18
Electrical Downtilt	Deg	2 to 14		
Cross Polar Isolation	dB	28		
Interband Isolation	dB	28		
VSWR	-	1.5		
Passive Intermodulation (3rd Order, 2 x 43dBm);dBc;-153;	dBc	-153		
Maximum Effective Power per Port	Watt	300		



APXVBLL15H_43-C-I20

Triple Band Antenna, 694-960/1695-2690/1695-2690MHz, 65deg, 15.6/18.1/18.3dBi, 1.5m, 2-14/2-12/2-12deg, Integrated RET

ELECTRICAL SPECIFICATIONS

Electrical Specification Header		High Band Left Array (1695-2690 MHz) [Y1]				
Frequency Band	MHz	1695 - 1880	1850 - 1990	1920 - 2170	2300 - 2400	2490 - 2690
Gain Typical	dBi	16.9	17.3	17.9	18	18.1
Gain Over all Tilts	dBi	16.4 +/- 0.5	16.8 +/- 0.5	16.9 +/- 1	17.5 +/- 0.5	18 +/- 0.1
Azimuth Beamwidth 3dB	Deg	69 +/- 5.5	67.3 +/- 4	67 +/- 5	63.3 +/- 2.5	59.8 +/- 5.1
Elevation Beamwidth 3dB	Deg	6.3 +/- 0.5	6 +/- 0.1	5.5 +/- 0.5	5 +/- 0.1	4.7 +/- 0.5
Cross Polar Discrimination at Boresight	dB	25.4	23	23	26	20.9
Cross Polar Discrimination over Sector	dB	13	10	10	13	7
F/B at +/-30deg Total Power	dB	24	28	26	23	20.2
First Upper Side Lobe Suppression	dB	18	21	21	22.9	19
Electrical Downtilt	Deg	2 to 12				
Cross Polar Isolation	dB	28				
Interband Isolation	dB	28				
VSWR	-	1.5				
Passive Intermodulation (3rd Order, 2 x 43dBm)	dBc	-153				
Maximum Effective Power per Port	Watt	250				

ELECTRICAL SPECIFICATIONS

Electrical Specification Header		High Band Left Array (1695-2690 MHz) [Y2]				
Frequency Band	MHz	1695 - 1880	1850 - 1990	1920 - 2170	2300 - 2400	2490 - 2690
Gain Typical	dBi	16.8	17.2	17.4	17.5	18.3
Gain Over all Tilts	dBi	16.3 +/- 0.5	16.7 +/- 0.5	16.9 +/- 0.5	17.1 +/- 0.4	17.8 +/- 0.5
Azimuth Beamwidth 3dB	Deg	69.1 +/- 4	68 +/- 4	66.8 +/- 5.5	63.6 +/- 2.6	61 +/- 4.5
Elevation Beamwidth 3dB	Deg	6.3 +/- 0.5	6 +/- 0.1	5.5 +/- 0.5	5 +/- 0.1	4.7 +/- 0.5
Cross Polar Discrimination at Boresight	dB	21	21.6	24	24	27
Cross Polar Discrimination over Sector	dB	8	9	8.4	9	3
F/B at +/-30deg Total Power	dB	23	25	24	22	20
First Upper Side Lobe Suppression	dB	17.4	19	20	19.3	19
Electrical Downtilt	Deg	2 to 12				
Cross Polar Isolation	dB	28				
Interband Isolation	dB	28				
VSWR	-	1.5				
Passive Intermodulation (3rd Order, 2 x 43dBm)	dBc	-153				
Maximum Effective Power per Port	Watt	250				



APXVBLL15H_43-C-I20

Triple Band Antenna, 694-960/1695-2690/1695-2690MHz, 65deg, 15.6/18.1/18.3dBi, 1.5m, 2-14/2-12/2-12deg, Integrated RET

ELECTRICAL SPECIFICATIONS

Impedance	Ohm	50
Polarization	Deg	±45°

MECHANICAL SPECIFICATIONS

Dimensions - H x W x D	mm (in)	1498 x 398 x 158 (59 x 15.7 x 6.2)
Weight (Antenna Only)	kg (lb)	20.5 (45.2)
Weight (Mounting Hardware only)	kg (lb)	4 (8.8)
Packing size- HxWxD	mm (in)	1698 x 493 x 278 (66.9 x 19.4 x 10.9)
Shipping Weight	kg (lb)	29 (63.9)
Connector type		6x 4.3-10 female/bottom + 2 AISG connectors (1 male, 1 female)
Radome Material / Color		Fiberglass / Light Grey RAL7035

TESTING AND ENVIRONMENTAL

Temperature Range	°C (°F)	-40 to 60 (-40 to 140)
Lightning protection		DC Ground
Survival/Rated Wind Velocity	km/h	200 (150)
Wind Load @Rated Wind Front	N	399
Wind Load @Rated Wind Side	N	345
Wind Load @Rated Wind Rear	N	463

ORDERING INFORMATION

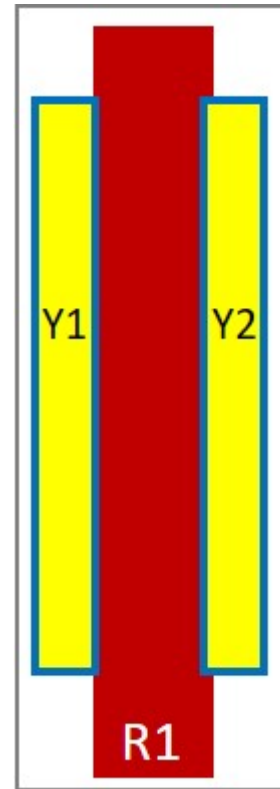
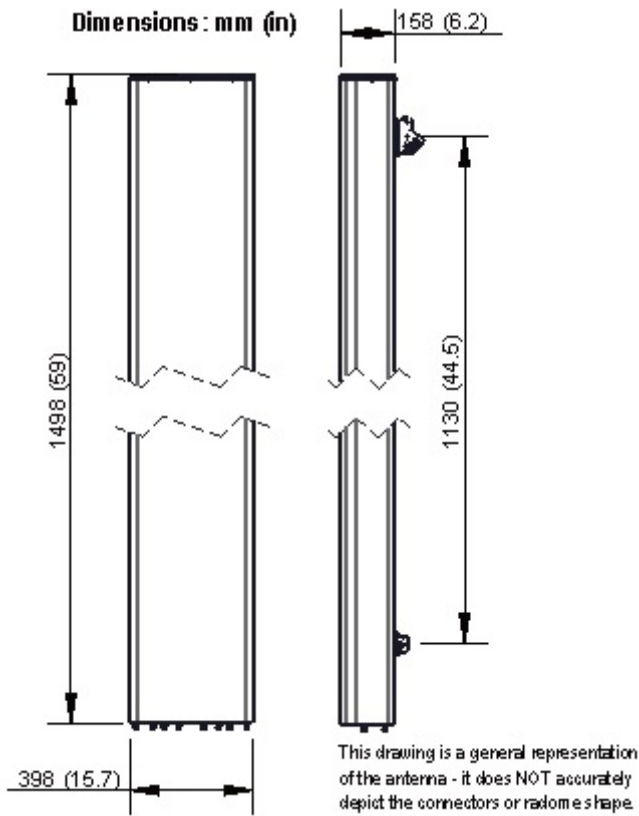
Order No.	Configuration	Mounting Hardware	Mounting pipe Diameter	Shipping Weight
APXVBLL15H_43-C-I20	Internal RET (ACU-I20-H12B)	APM50-H1	50-125mm	29 kg





APXVBLL15H_43-C-I20

Triple Band Antenna, 694-960/1695-2690/1695-2690MHz, 65deg, 15.6/18.1/18.3dBi, 1.5m, 2-14/2-12/2-12deg, Integrated RET



External Document Links

[APM50_Series_Installation_Instructions](#)

Notes

- All electrical parameters are compliant with BASTA NGMN 11.1 requirements.
- For additional mounting information please click "External Document Links".
- **Radiating patterns:** [Request pattern files](#)