



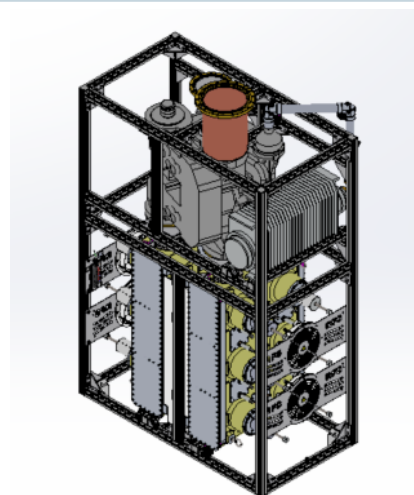
The CA6PPXX270E combiner is designed for DTV mask and combining applications. A module comprises a pair of 6 pole 270mm UHF filters and a pair of 3 dB couplers in a balanced combiner configuration.

**FEATURES / BENEFITS**

Each combiner module features

- Compact size
- Low insertion loss
- Adjacent channel operation
- DTV mask filtering
- Double compensated invar temperature stability

Detailed electrical specifications and further information is available by opening the appropriate external document link below.



CA6PPXX270E with fan cooling kit shown

**Technical features**

**STRUCTURE**

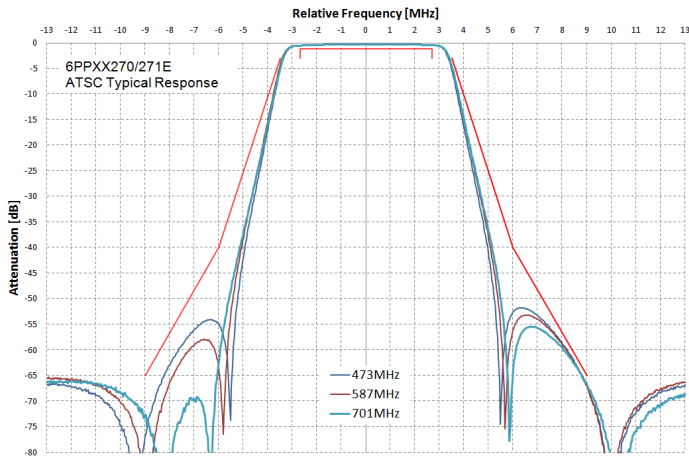
Product Line		Combiner TV
Product Type		Band IV/V (UHF) TV Balanced Combiner
Filter Type and Size		Cross coupled

**ELECTRICAL SPECIFICATIONS**

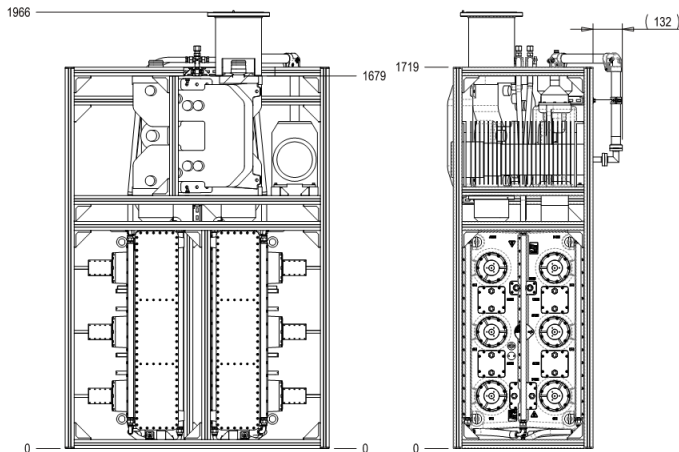
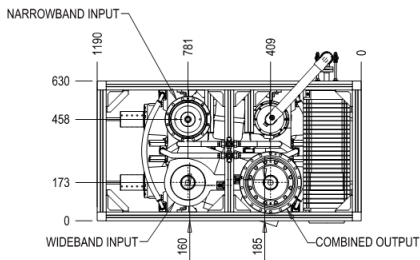
Frequency Range	MHz	470 - 862
Minimum Channel Spacing		adjacent
Narrowband Input Power	kW	21.9
Input Power Comments		refer to combiner application guide for details
Maximum Output Power	kW	90
Number of Poles		6
Number of Cross Couplings		2
3 dB Channel Bandwidth	MHz	6 to 8
Mask		ATSC 3 FCC, ISDB-T Critical, ETSI 8MHz Non-critical

**TEMPERATURE SPECIFICATIONS**

Freq Drift - Tx Operation	kHz/°C(°F)	<2 (1.2)
Freq Drift - Ambient Temperature	kHz/°C(°F)	<2 (1.2)



6PPXX270E Filter Response



CA6PPXX270E Dimensions

External Document Links

- [Combiner Application Guide ETSI DVB-T and T2 8MHz](#)
- [Combiner Application Guide \(ATSC 6MHz\)](#)
- [Combiner Application Guide \(ISDB-T 6MHz\)](#)

Notes