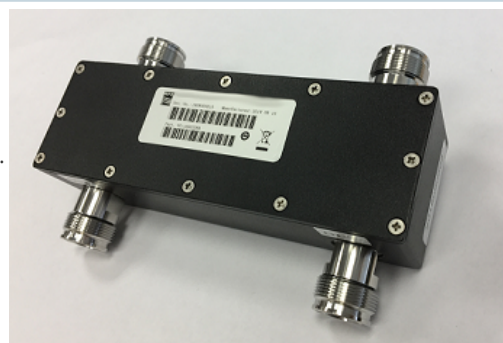




The CDS2x2-43-555/6000 hybrid coupler is four-port directional coupler which equally combines two wireless signals and transfers the combined signal to two output ports. The product is designed for wireless services and applications in the frequency band from 555-6000MHz including 2G/3G/4G/5G. The broad frequency range and outstanding PIM rating is ideally suited for multi-band distributed antenna systems or in combination with RADIAFLEX® radiating cables.



CDS2x2-43-555/6000

FEATURES / BENEFITS

- 4.3-10-female interfaces
- PIM optimized design (160dBc @ 2x43dBm)
- Ideal for all kind of DAS applications
- Low insertion loss
- High power handling

Technical features

GENERAL SPECIFICATIONS

Product Type		Directional Hybrid Coupler
Techn. Application		Indoor
Number of Input Ports		2
Number of Output Ports		2
Connector Type		4.3-10 female

ELECTRICAL SPECIFICATIONS

Frequency Range	MHz	555 - 6000
Impedance	Ohm	50
VSWR / Return Loss	VSWR/dB	1.20/20.8 @555 - 1500 GHz 1.30/17.7 @1500 - 2500 GHz 1.50/14 @2500 - 6000 GHz
Intermodulation (IM3)		-160 dBc (2x43dBm)
Isolation min	dB	25 @555 - 1500 20 @1500 - 2500 18 @2500 - 6000
Coupling Value	dB	3.1 ±0.9 @555 - 6000 MHz
Total Input Power	W	300

TEMPERATURE SPECIFICATIONS

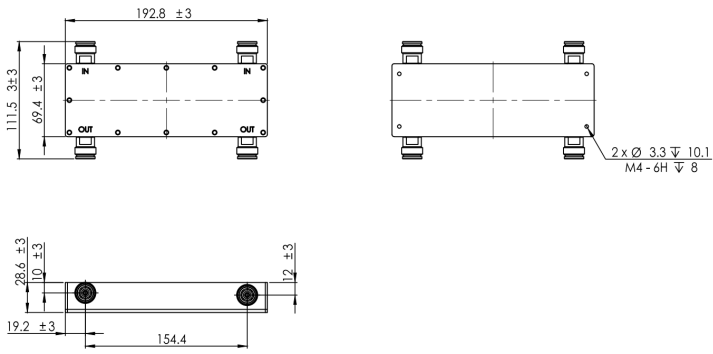
Temperature Range	°C (°F)	-25 to 65 (-13 to 149)
-------------------	---------	------------------------

MECHANICAL SPECIFICATIONS

Height	mm (in)	28.6 (1.13)
Width	mm (in)	111.5 (4.39)
Length	mm (in)	192.8 (7.59)
Weight	kg (lb)	1.1 (2.43)

TESTING AND ENVIRONMENTAL

Environmental Class		IP65
---------------------	--	------



CDS2x2-43-555_6000_Drawing

External Document Links

[Link to VEX Zip file](#)

Notes