



RFS cold shrink tubes provide a additional sealing of feeder connections. With the included foam strips a sealing class IP68 is guaranteed even with scratches on the jacket surface.

The materials are selected for a long-term outdoor use.

**FEATURES / BENEFITS**

- RFS offers a timesaving and easy way to secure a waterproof protection.
- No tools are necessary for installation.
- The shrinking process is done by simply unwinding a removable core.



**Technical features**

**STRUCTURE**

Product Line		Coaxial Cable Accessories
Product Type		Weather Seal Kit
Coaxial Cable Type		Foam Dielectric

**MECHANICAL SPECIFICATIONS**

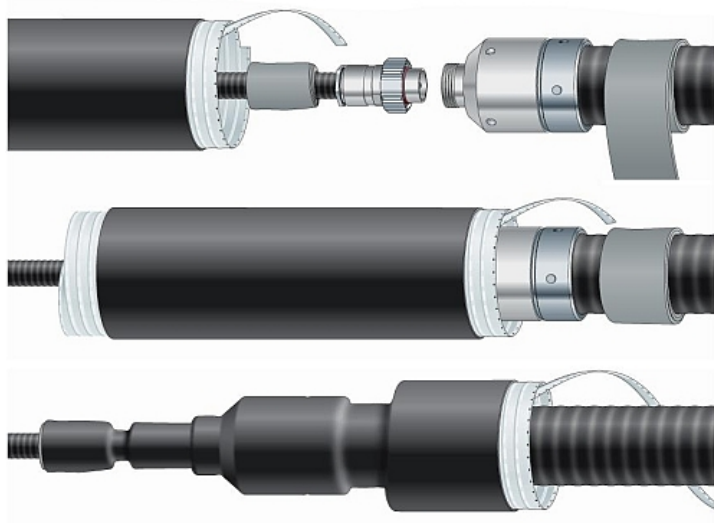
Mated to Cable Size and Interface		1/2" to 1-1/4", 1/2" to 1-5/8", 5/8" to 1-1/4", 5/8" to 1-5/8", 7/8" to 1 1/4", 7/8" to 1 5/8" up to and including 7-16 DIN connectors
Color		Black
Material		Cold shrink tube: Made of EPDM rubber Foam strips: Made of self bonding Foam PE
Sealing Class		IP68
Length	mm (in)	330 (13)

**TEMPERATURE SPECIFICATIONS**

Operation Temperature, °C(°F)	°C(°F)	-50 to 100 (-58 to 212 )
Storage Temperature	°C(°F)	-50 to 100 (-58 to 212 )

**PACKAGING INFORMATION**

Package Quantity		1
------------------	--	---



[External Document Links](#)  
[Installation Instruction](#)

Notes



PRODUCT DATASHEET

**COLD-022**

Cold shrink tube, 1/2" to 1-1/4", 1/2" to 1-5/8", 5/8" to 1-1/4", 5/8" to 1-5/8", 7/8" to 1 1/4", 7/8" to 1 5/8"

