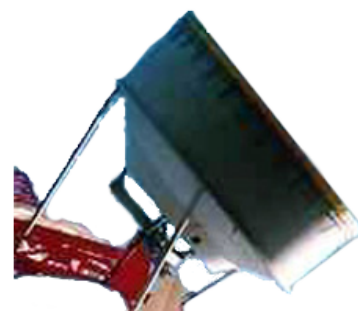




RFS TrunkLine Antennas are designed for microwave backbone networks, long distance, high capacity links  
 A choice between tested and validated ultra-high (ETSI EN 302 217 Class 3 and FCC Class A) electrical performance or high (ETSI Class 2 and FCC Class B) performance  
 Sizes ranging from 1.8 m (6 ft) to 4.6 m (15 ft)  
 Single- and dual-polarized models with the ability to upgrade from single to dual polarization and change frequencies in the field in most cases

**FEATURES / BENEFITS**

- Field-proven reliability and long life
- Support for winds up to 200 km/h (125 mph) with high-wind versions that support winds up to 252 km/h (155 mph) and an optional sway bar for added assurance in case mistakes are made during installation
- A single-piece configuration and compact packaging to reduce transportation costs
- Frequencies ranging from 4 GHz to 15 GHz with support for two wideband frequency ranges (5.725-6.875 and 7.125-8.5 GHz) to reduce antenna requirements and simplify logistics



Antenna

**Technical features**

**GENERAL SPECIFICATIONS**

<b>Product Type</b>		Point to point antennas
<b>Profile</b>		TrunkLine
<b>Performance</b>		High
<b>Polarization</b>		Dual
<b>Antenna Input</b>		PDR 70
<b>Reflector</b>		3-parts
<b>Radome</b>		flexible
<b>Antenna color</b>		White RAL 9010
<b>Swaybar</b>		4: (3.0 m x Ø60 mm)

**ELECTRICAL SPECIFICATIONS**

<b>Frequency</b>	GHz	5.925 - 6.425
<b>3dB beamwidth</b>	degrees	0.8
<b>Low Band Gain</b>	dBi	46.3
<b>Mid Band Gain</b>	dBi	46.6
<b>High Band Gain</b>	dBi	47
<b>F/B Ratio</b>	dB	71
<b>XPD</b>	dB	30
<b>IPI</b>	dB	35
<b>Max VSWR / R L</b>	VSWR / dB	1.06 (30.7)
<b>Regulatory Compliance</b>		ETSI EN 302217 Range 1, class 2 FCC Category A



**MECHANICAL SPECIFICATIONS**

Diameter	ft (m)	15 (4.6)
Elevation Adjustment	degrees	± 5
Azimuth Adjustment	degrees	± 5
Polarization Adjustment	degrees	± 5
Mounting Pipe Diameter minimum	mm (in)	219 (8.6)
Mounting Pipe Diameter maximum	mm (in)	219 (8.6)
Approximate Weight	kg (lb)	750 (1650)
Survival Windspeed	km/h (mph)	200 (125)
Operational Windspeed	km/h (mph)	190 (118)

**STRUCTURE**

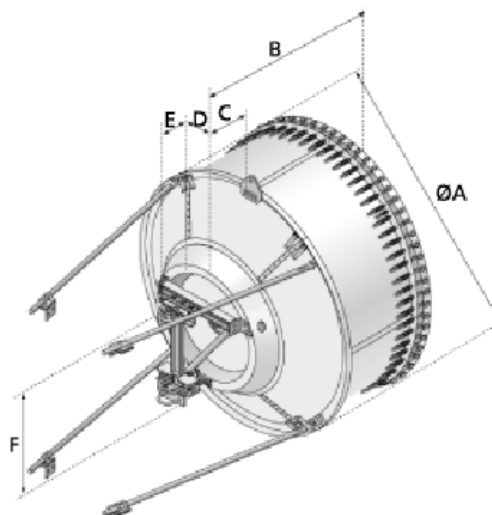
Radome Material	PVC coated fabric
-----------------	-------------------

**FURTHER ACCESSORIES**

optional Swaybar	0: (not applicable)
Further Accessories	SMA-SKO-UNIVERSAL-L : Universal sway bar fixation kit

**MOUNTOUTLINE**

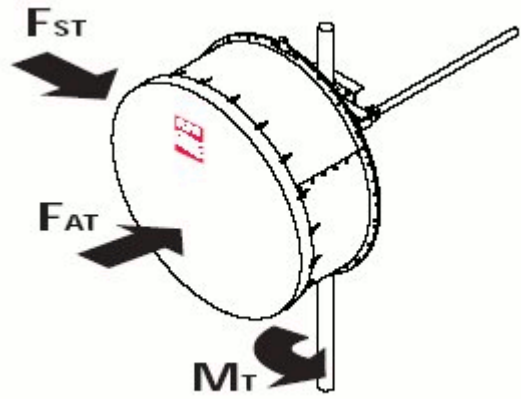
Dimension_A	mm (in)	4757 (188)
Dimension_B	mm (in)	2360 (93.3)
Dimension_C	mm (in)	855 (33.8)
Dim_D- 219mm(8.5_in)Pipe	mm (in)	294 (11.6)
Dimension_E	mm (in)	455 (17.9)
Dimension_F	mm (in)	1690 (66.8)





**WINDLOAD**

<b>F<sub>s</sub> Side force max. @ survival wind speed</b>	N (lb)	21000 (4704)
<b>M Torque maximum @ survival wind speed Nm (ft lb)</b>	Nm (lb ft)	32750 (24500)
<b>F<sub>a</sub> Axial force max. @ survival wind speed</b>	N (lb)	42430 (9504)



**External Document Links**

- [Complete Antenna installation](#)
- [RPE \(IQ-Link format\)](#)
- [RPE \(PDF format\)](#)
- [RPE \(Pathloss format\)](#)

**Notes**