

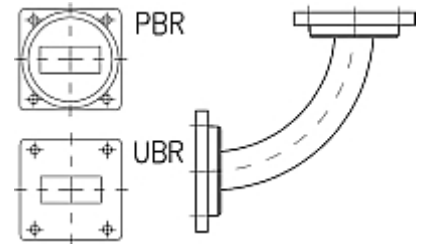


Rectangular Waveguide R 140 E-Bend 90 degree,
flanges PBR/UBR 140, f= 11.90-18.0 GHz,
VSWR max 1.06, A=50mm (1.9"),
gasket and screw kit enclosure
gasket and screw kit enclosure
made of copper

FEATURES / BENEFITS

Waveguide installation

- The rectangular waveguide component provides simple installation in particular difficult cases
- It can be installed where less space is available
- It provides outstanding electrical performance



Picture only for illustration

Technical features

STRUCTURE

Type of Rectangular Waveguide Component		Bend in E-Plane
Waveguide Size IEC (EIA)		R140 (WR62)
Flange A		PBR140
Flange B		UBR140
Flange Finish		Brass un-plated
Package Quantity		1

ELECTRICAL SPECIFICATIONS

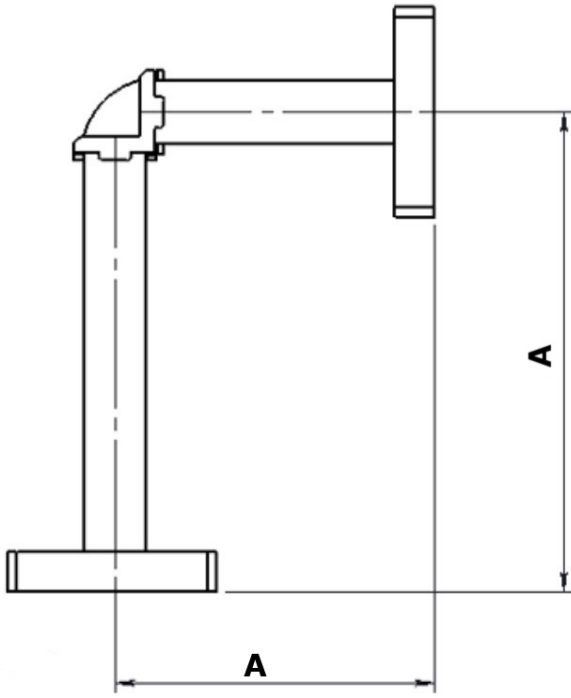
Minimum Return Loss (max. VSWR)	dB (VSWR)	26.4 (1.10)
---------------------------------	-----------	-------------

MECHANICAL SPECIFICATIONS

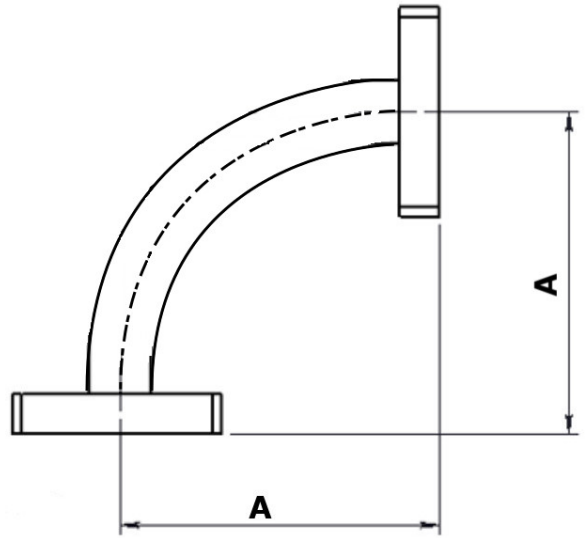
Bend/Twist		90 deg
Length	mm (in)	50 (1.9)

MATERIAL

Material		Copper
Color		Black



Design with casted bend



Design with accurate waveguide bend

External Document Links

Notes