

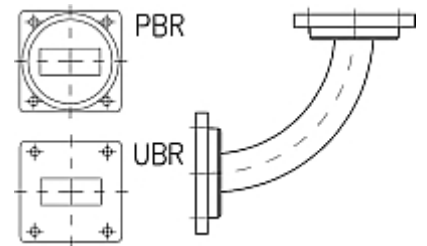


Rectangular Waveguide R 220 E-Bend 90 degree,  
flanges PBR/UBR 220, f= 17.6-26.70 GHz,  
VSWR max 1.10, A=50mm (1.9"),  
gasket and screw kit enclosure  
gasket and screw kit enclosure  
made of copper

**FEATURES / BENEFITS**

Waveguide installation

- The rectangular waveguide component provides simple installation in particular difficult cases
- It can be installed where less space is available
- It provides outstanding electrical performance



Picture only for illustration

**Technical features**

**STRUCTURE**

Type of Rectangular Waveguide Component		Bend in E-Plane
Waveguide Size IEC (EIA)		R220 (WR42)
Flange A		PBR220
Flange B		UBR220
Flange Finish		Brass un-plated
Package Quantity		1

**ELECTRICAL SPECIFICATIONS**

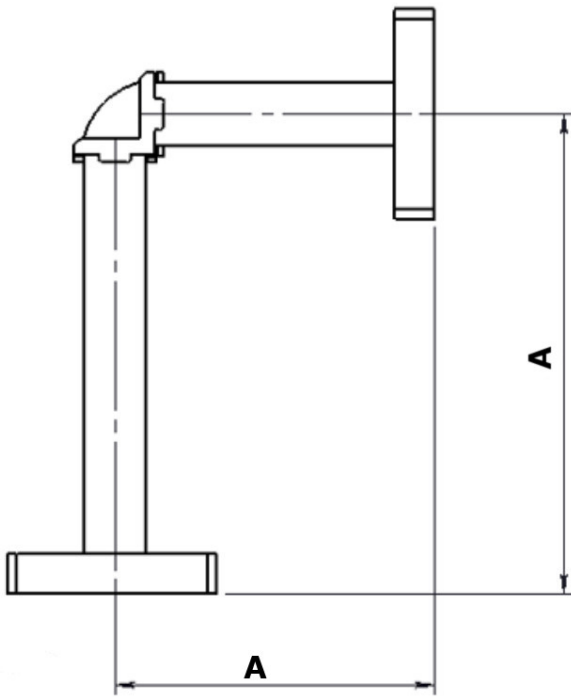
Minimum Return Loss (max. VSWR)	dB (VSWR)	26.4 (1.10)
---------------------------------	-----------	-------------

**MECHANICAL SPECIFICATIONS**

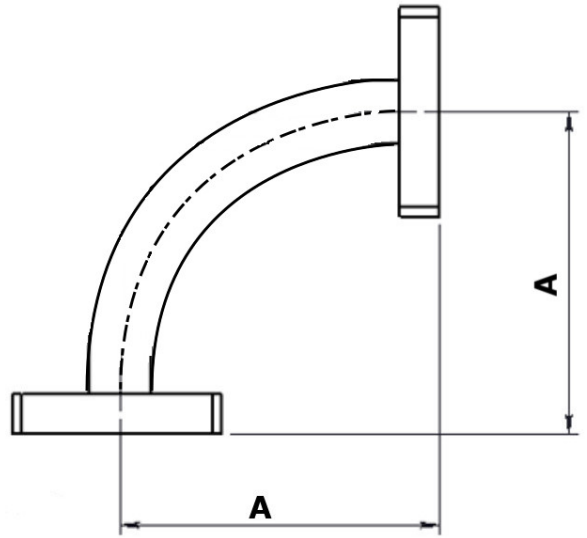
Bend/Twist		90 deg
Length	mm (in)	50 (1.9)

**MATERIAL**

Material		Copper
Color		Black



Design with casted bend



Design with accurate waveguide bend

External Document Links

Notes