

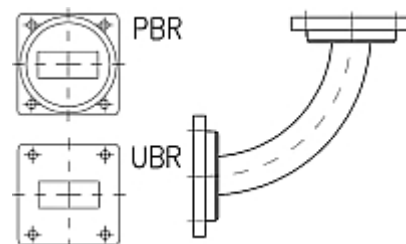


Rectangular Waveguide R 260 E-Bend 90 degree,  
 flanges PBR/UBR 260, f= 21.7-33.0 GHz,  
 VSWR max 1.10, A=50mm (1.9"),  
 gasket and screw kit enclosure  
 gasket and screw kit enclosure  
 made of copper

**FEATURES / BENEFITS**

Waveguide installation

- The rectangular waveguide component provides simple installation in particular difficult cases
- It can be installed where less space is available
- It provides outstanding electrical performance



Picture only for illustration

**Technical features**

**STRUCTURE**

Type of Rectangular Waveguide Component		Bend in E-Plane
Waveguide Size IEC (EIA)		R260 (WR34)
Flange A		PBR260
Flange B		UBR260
Flange Finish		Brass un-plated
Package Quantity		1

**ELECTRICAL SPECIFICATIONS**

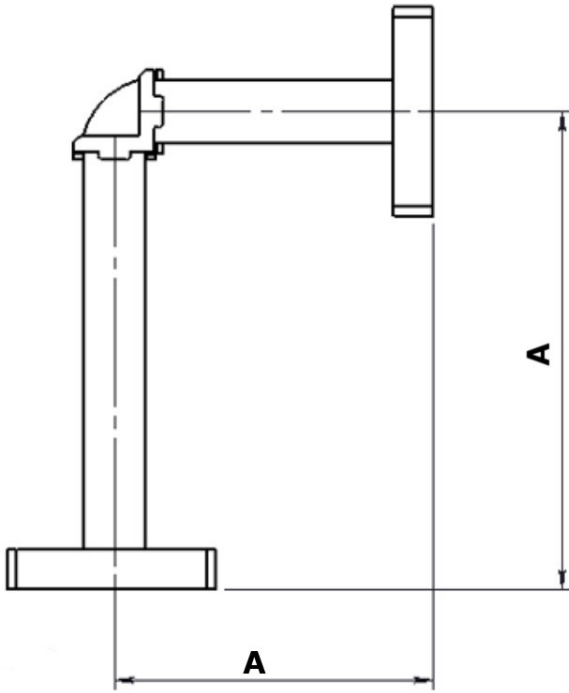
Minimum Return Loss (max. VSWR)	dB (VSWR)	26.4 (1.10)
---------------------------------	-----------	-------------

**MECHANICAL SPECIFICATIONS**

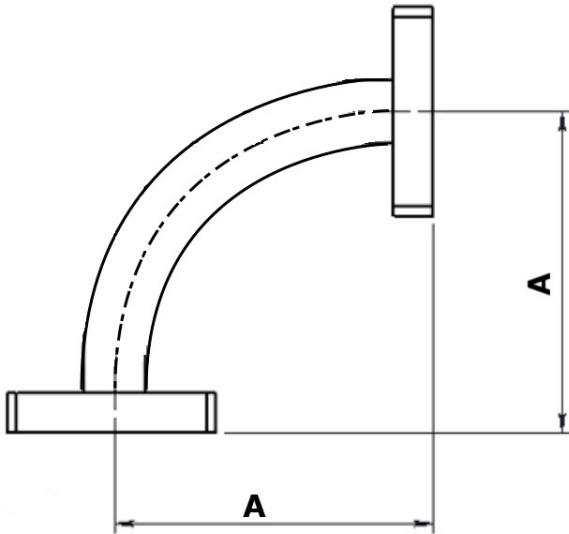
Bend/Twist	degree	90
Length	mm (in)	50 (1.9)

**MATERIAL**

Material		Copper
Color		Black



Design with casted bend



Design with accurate waveguide bend

[External Document Links](#)

[Notes](#)