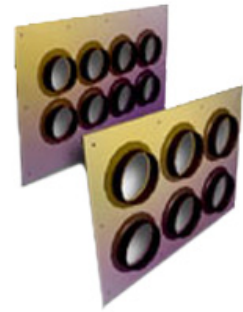




FTP4-1X1

Feed through entry panel, 102mm (4"), 1 hole, 1x1

Aluminum feed through entry panels enable transmission line runs to enter buildings and shelters. These rugged panels guide the transmission line at the entry point and prevent moisture from entering the building. Each panel features 102mm (4") openings to accept boot assemblies. Feed through panels are offered with a broad selection of hole patterns and plate sizes to match your exact application. These entries can be used in both interior and exterior wall applications to create a neat and clean installation. Each panel includes a set of wall attachment hardware, including stainless steel screws, finishing washers and plastic anchors and is powder coated to ensure long term integrity and provide appealing aesthetics. Protection caps for all unused openings are also included. These caps are only dust protection offered. For water proofing suitable additional measures, e.g. tape wrap. Boot assemblies are purchased separately to accommodate specific transmission line requirements.



FEATURES / BENEFITS

Technical features

STRUCTURE

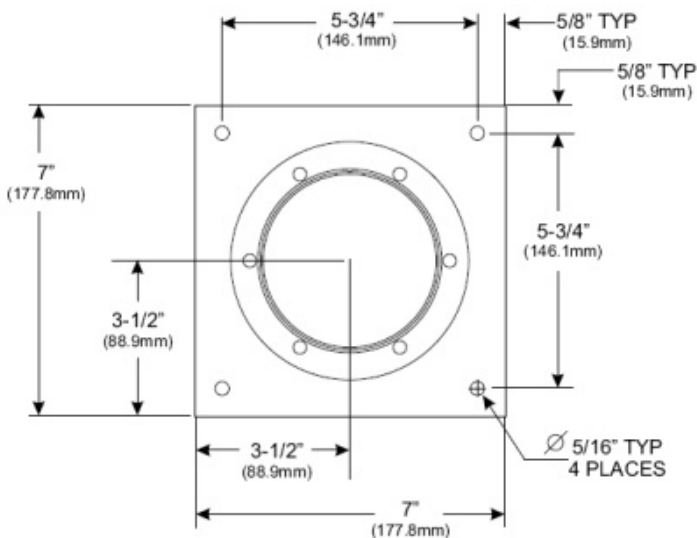
| | | | |
|------------------------|--|-----------------------------------|---------------------------|
| Product Line | | Elliptical Waveguide Accessories | Coaxial Cable Accessories |
| Product Type | | Wall/Roof Feed-Through System | |
| Feed-Through Component | | Aluminum Feed-Through Entry Panel | |
| Coaxial Cable Type | | Air Dielectric | Foam Dielectric |
| Configuration | | 1 x 1 | |

MECHANICAL SPECIFICATIONS

| | | |
|----------------------------|---------|-----------|
| Feed-Through Holes | | 1 |
| Feed-Through Hole Diameter | mm (in) | 102 (4) |
| Color | | Grey |
| Material | | Aluminium |

PACKAGING INFORMATION

| | | |
|------------------|--|---|
| Package Quantity | | 1 |
|------------------|--|---|



External Document Links

Notes