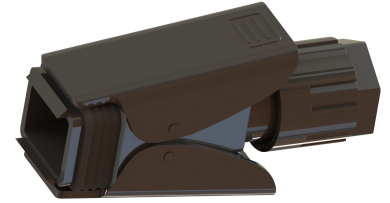




The AOPC is a field installable sealing kit which fits over the fiber jumper from RFS and can be installed in the field on site.

This sealing kit fits to the RRUs from Nokia. In the Kit are different diameters of sealings for different diameters of cables.

The diameter of the supported cables are 4 (3,8 - 4,2 mm), 5 (4,8 - 5,2 mm), 6 (5,3 - 6,2 mm) and 7 (6,8 - 7,2 mm).



FEATURES / BENEFITS

- flexible handling of the fiber jumper because of field installable sealing

External Document Links

[Installation Instruction](#)

Notes

Technical features

GENERAL SPECIFICATIONS

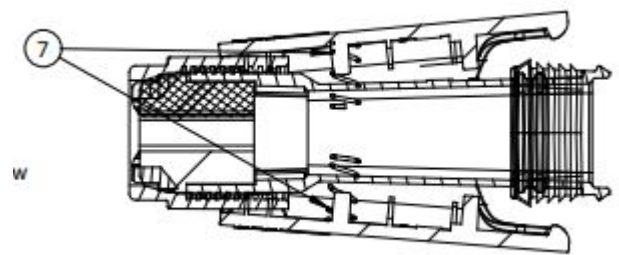
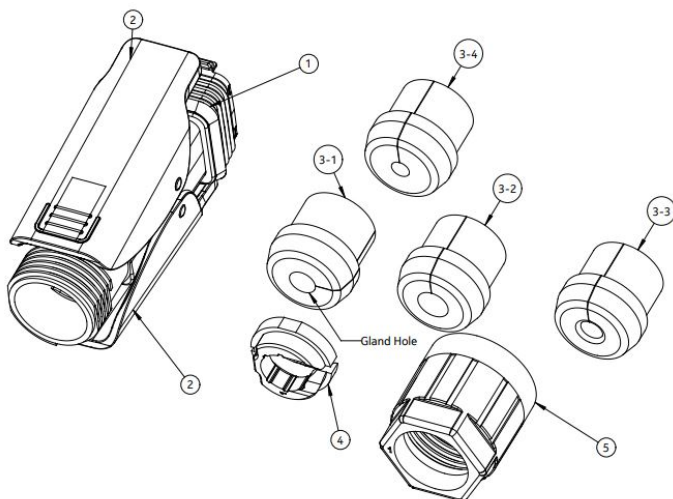
Product Type		Sealing Kit
--------------	--	-------------

MECHANICAL SPECIFICATIONS

Material		Plastic with rubber inlets
Weight	kg (lb)	0.036 (0.079)

TESTING AND ENVIRONMENTAL

Storage Temperature	°C (°F)	-20 to 50 (-4 to 122)
Operation Temperature	°C (°F)	-40 to 75 (-40 to 167)
Installation Temperature	°C (°F)	-20 to 60 (-4 to 140)
Sealing Class		IP67
UV-Protection		Yes





PRODUCT DATASHEET

HA-AOPC-01

AOPC Connector Sealing for Nokia RRUs



HA-AOPC-01

REV : C

REV DATE : 09 Nov 2022

www.rfsworld.com