

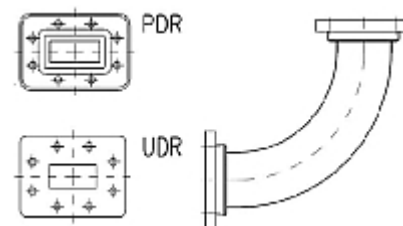


Rectangular Waveguide R 48 H-Bend 90 degree,
flanges PDR/UDR 48, f= 3.94-5.99 GHz,
VSWR max 1.06, A=150mm (5.9in),
gasket and screw kit enclosure
made of brass

FEATURES / BENEFITS

Waveguide installation

- The rectangular waveguide component provides simple installation in particular difficult cases
- It can be installed where less space is available
- It provides outstanding electrical performance



Picture only for illustration

Technical features

STRUCTURE

| | | |
|---|--|-----------------|
| Type of Rectangular Waveguide Component | | Bend in H-Plane |
| Waveguide Size IEC (EIA) | | R48 (WR187) |
| Flange A | | PDR48 |
| Flange B | | UDR48 |
| Flange Finish | | Brass un-plated |
| Package Quantity | | 1 |

ELECTRICAL SPECIFICATIONS

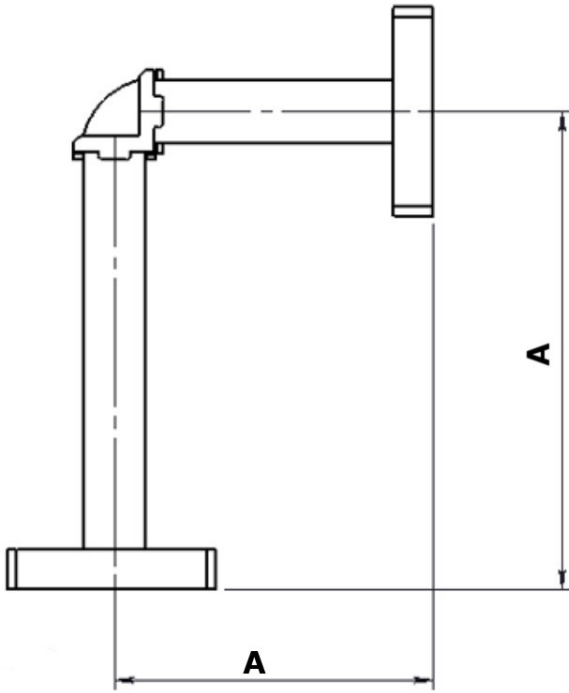
| | | |
|---------------------------------|-----------|-------------|
| Minimum Return Loss (max. VSWR) | dB (VSWR) | 30.7 (1.06) |
|---------------------------------|-----------|-------------|

MECHANICAL SPECIFICATIONS

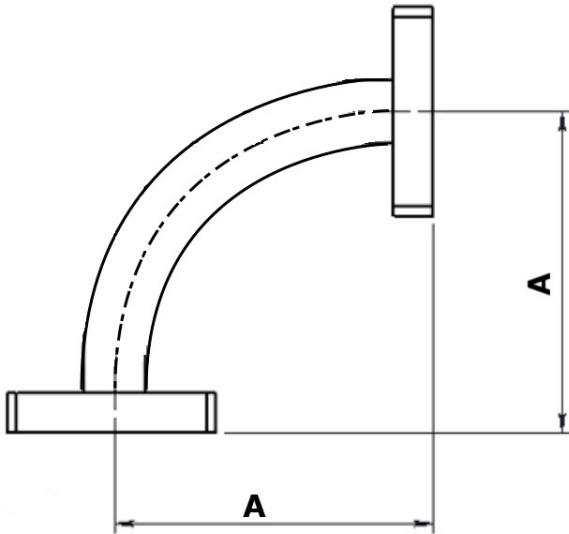
| | | |
|------------|---------|-----------|
| Bend/Twist | degree | 90 |
| Length | mm (in) | 150 (5.9) |

MATERIAL

| | | |
|----------|--|-------|
| Material | | Brass |
| Color | | Black |



Design with casted bend



Design with arcuate waveguide bend

External Document Links

Notes