

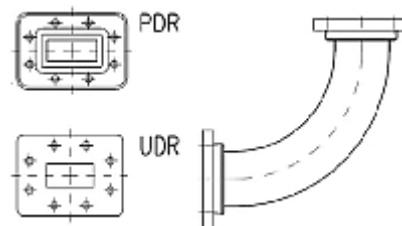


Rectangular Waveguide R 120 H-Bend 90 degree,  
flanges PDR/UDR 120, f= 9.84-15.0 GHz,  
VSWR max 1.06, A=65mm (2.5in),  
gasket and screw kit enclosure  
made of brass

**FEATURES / BENEFITS**

Waveguide installation

- The rectangular waveguide component provides simple installation in particular difficult cases
- It can be installed where less space is available
- It provides outstanding electrical performance



Picture only for illustration

**Technical features**

**STRUCTURE**

|   |  |                 |
|---|--|-----------------|
| Type of Rectangular Waveguide Component |  | Bend in H-Plane |
| Waveguide Size IEC (EIA)                |  | R120 (WR75)     |
| Flange A                                |  | PDR120          |
| Flange B                                |  | UDR120          |
| Flange Finish                           |  | Brass un-plated |
| Package Quantity                        |  | 1               |

**ELECTRICAL SPECIFICATIONS**

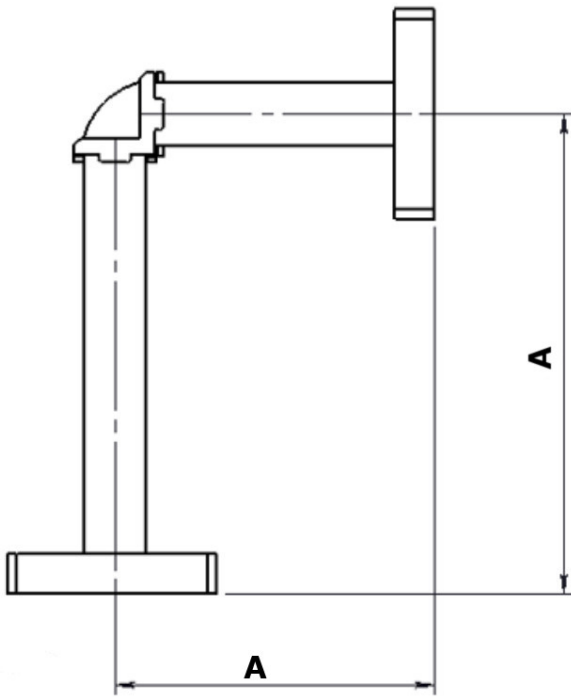
|                                 |           |             |
|---------------------------------|-----------|-------------|
| Minimum Return Loss (max. VSWR) | dB (VSWR) | 30.7 (1.06) |
|---------------------------------|-----------|-------------|

**MECHANICAL SPECIFICATIONS**

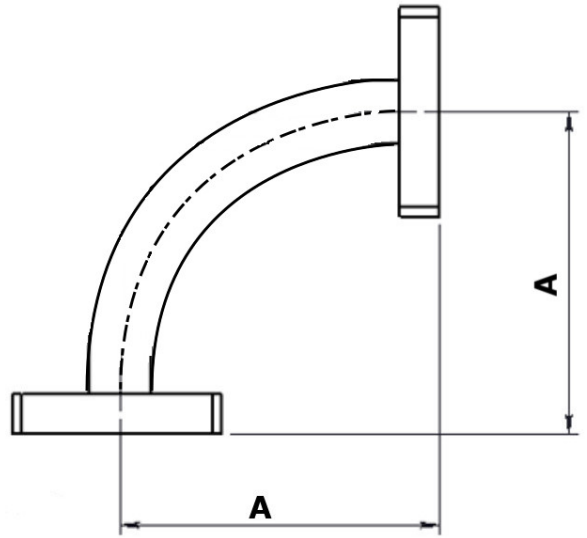
|            |         |          |
|------------|---------|----------|
| Bend/Twist | degree  | 90       |
| Length     | mm (in) | 65 (2.5) |

**MATERIAL**

|          |  |       |
|----------|--|-------|
| Material |  | Brass |
| Color    |  | Black |



Design with casted bend



Design with arcuate waveguide bend

External Document Links

Notes