



Hangers for the installation of HELIFLEX® cables on different supporting profiles.
 Cable Clamp and Extended Counterbed hot-galvanized steel
 Screw: stainless steel.

FEATURES / BENEFITS



picture shows the 1L4 version for illustration purpose only

Technical features

GENERAL SPECIFICATIONS

| | | |
|------------------------|--|---------------------------|
| Product Line | | Coaxial Cable Accessories |
| Product Type | | Hanger |
| Hanger Type | | Angle iron 40mm (1.575") |
| Transmission Line Type | | HCA495 |
| Cable Type | | Air Dielectric |

MECHANICAL SPECIFICATIONS

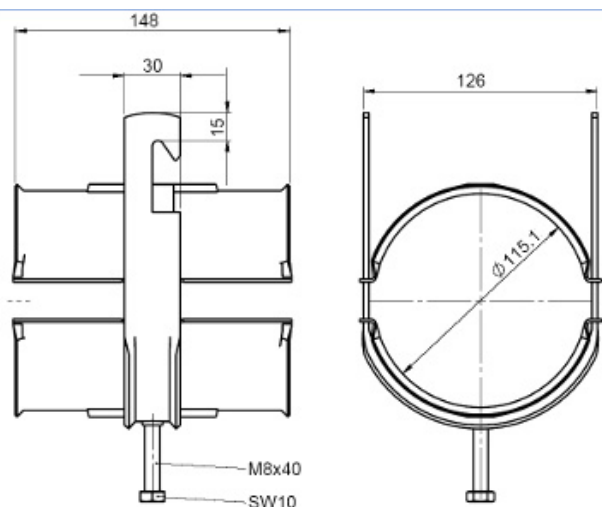
| | | |
|-------------------------------------|--------|--|
| Cable Size | | 5 |
| Material | | Cable Clamp : hot-dip galvanized Extended Counterbed : hot-dip galvanized Screw: Stainless steel |
| Recommended / Maximum Clamp Spacing | m (ft) | 1 / 2 (3.3 / 6.6) |

TEMPERATURE SPECIFICATIONS

| | | |
|-----------------------|---------|-------------------------|
| Operation Temperature | °C (°F) | -50 to 85 (-58 to 185) |
| Storage Temperature | °C (°F) | -50 to 85 (-58 to 185) |

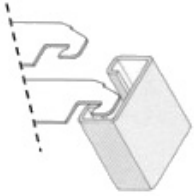
PACKAGING INFORMATION

| | | |
|------------------|--|---|
| Package Quantity | | 1 |
|------------------|--|---|





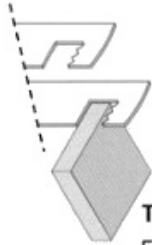
HCH Clamps available for different types of interfaces:



Type C
For anchor bar
(18-22mm slot)



Type L
For angle iron
(in different sizes)



Type R
For flat iron
(6 – 12 mm)

[External Document Links](#)

[Notes](#)

Hangers for angle iron 40mm (1.575")