



LPD-FM

Log Periodic Antennas

LPD FM Series

The LPD FM series log periodic antenna is a directional wideband antenna, with low VSWR and without lateral lobes. It can be used in vertical or horizontal polarization due to its rear fixation. The antenna can be used between 84 and 120MHz.

FEATURES / BENEFITS

- Receiving FM emissions in re-emission stations
- Directive emissions
- High 8 dBi gain, array possible
- Multi-assembly possible
- Easy to implement due to its low weight
- Easily transportable as the rods can be dismantled
- Individual packaging: 0.20 x 0.20 x 3.00m
- All the metallic parts of the antenna are connected to the ground, helping static load out-flow.



LPD FM

Technical features

STRUCTURE

Product Line		Antenna TV
Product Type		Band II (VHF) FM Log Periodic Antennas

ELECTRICAL SPECIFICATIONS

Frequency Range	MHz	85 - 108
Polarization		Horizontal Vertical
Nominal Gain (Mid-band)	dBd	8 dBi
Return Loss	dB	> 21
Power Rating	kW	0.6
Min. Front to Back Ratio	dB	25
Impedance (unbalanced)	Ω	50

MECHANICAL SPECIFICATIONS

Input Connector		N socket on RG213 U Coaxial Cable
Boom Length	cm (in)	280 (110)
Reflector Length	cm (in)	170 (67)
Mounting (Optional)	mm (in)	4 insulating stays to increase wind resistance
Effective Area Front (full antenna) No Ice	m ² (ft ²)	0.32 (3.50)
Effective Area Front (full antenna) with 12.5mm(0.5") Radial Ice	m ² (ft ²)	0.32 (3.50)
Wind Rating (no ice)	km/h (mph)	200 (130)
Wind Rating with 12.5mm (0.5") Radial Ice	km/h (mph)	120 (70)
Weight	kg (lb)	8.7 (19.1)

PACKAGING INFORMATION

Shipping Weight, Kg (lb)	kg (lb)	20 (44)
Shipping Dimension - Length	cm (in)	345 (135.8)
Shipping Dimension - Width	cm (in)	25 (9.8)
Shipping Dimension - Height	cm (in)	25 (9.8)



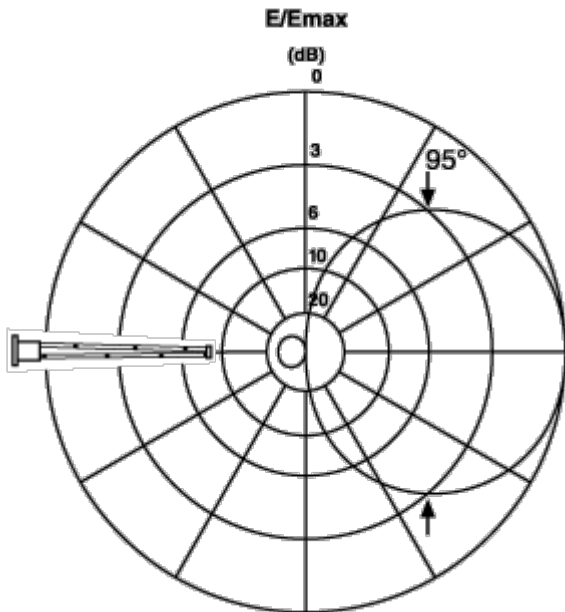
LPD-FM

Log Periodic Antennas

LPD FM Series

MATERIAL

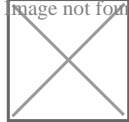
Material - Support Pole / Mounting		Hot galvanized mounting interface
Material - Radiators		Aluminium alloy
Coating		Thermo gloss paint
Colour		White



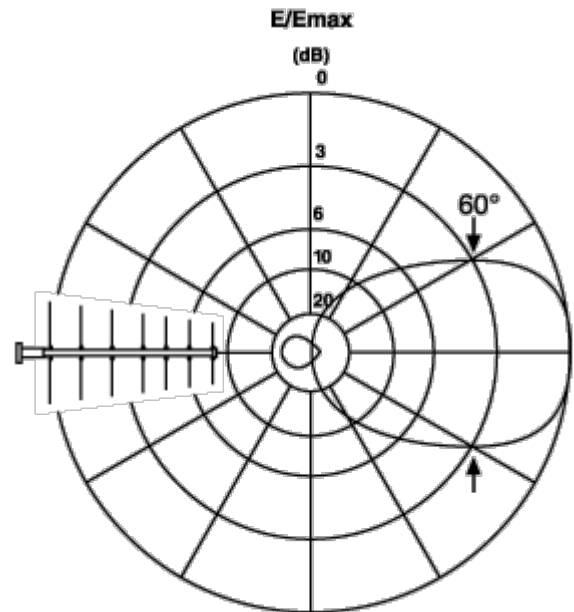
H plane pattern

Single LPD FM antenna

image not found or type unknown



Rear view of antenna in horizontal polarization



E plane pattern

Single LPD FM antenna

External Document Links

Notes

Options

- Hot-galvanized fixation interfaces for diam 50 to diam 115 mm tubes (available from diam 30 up to diam 150mm upon request)
- Insulating stays strengthening wind resistance
- Power splitter (B) for antenna array
- Phasing coaxial straps
- Fitted, measured, low loss coaxial cables - any length
- Supporting pylons (SL 190 - SL 450, ...)