



The high performance coaxial cable to waveguide adapter is specifically designed to provide the highest quality interface while simplifying and speeding up the attachment of connectors to the RADIAFLEX® radiating waveguide RE60. The connector provides outstanding value to users because they permit quick, easy and reliable installation at any location, thereby allowing the operator flexibility while saving installation time.

FEATURES / BENEFITS

- **Waveguide installation** - the flange adapter provides proper matching of elliptical waveguide flanges to N-female connector.
- **Time-saving and easy installation** - reliable and simple attachment avoids unnecessary connector adjustments and provides outstanding performance. Saves time and provides cost savings.
- **Robust mechanical design** - ideally for in-tunnel applications.
- **Excellent electrical performance** - low VSWR
- **Totally waterproof** - assures safe, long term operation.



NF-RE60

Technical features

GENERAL SPECIFICATIONS

Transmission Line Type		Elliptical Waveguide
Cable Size		RE60
Connector Interface		N female
Connector Type		Axially in the direction of the installed waveguide
Sealing Method		Shrinking Sleeve
Gender		Female

ELECTRICAL SPECIFICATIONS

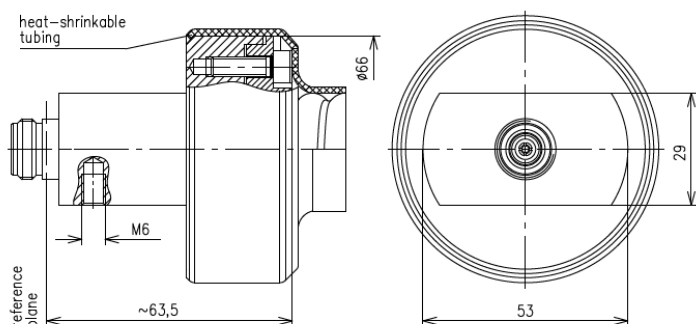
Nominal Impedance, ohms	Ohm	50
VSWR, Return Loss	VSWR (dB)	5.0 < f ≤ 6.0 GHz: 1.12 (24.9)

MECHANICAL SPECIFICATIONS

Plating Outer/Inner		Brass
Length	mm (in)	75 (2.95)
Outer Diameter	mm (in)	69 (2.72)

TESTING AND ENVIRONMENTAL

Waterproof Level		IP68
------------------	--	------



all dimensions in millimeter

Sketch NF-RE60

External Document Links

[Installation Instruction](#)

Notes

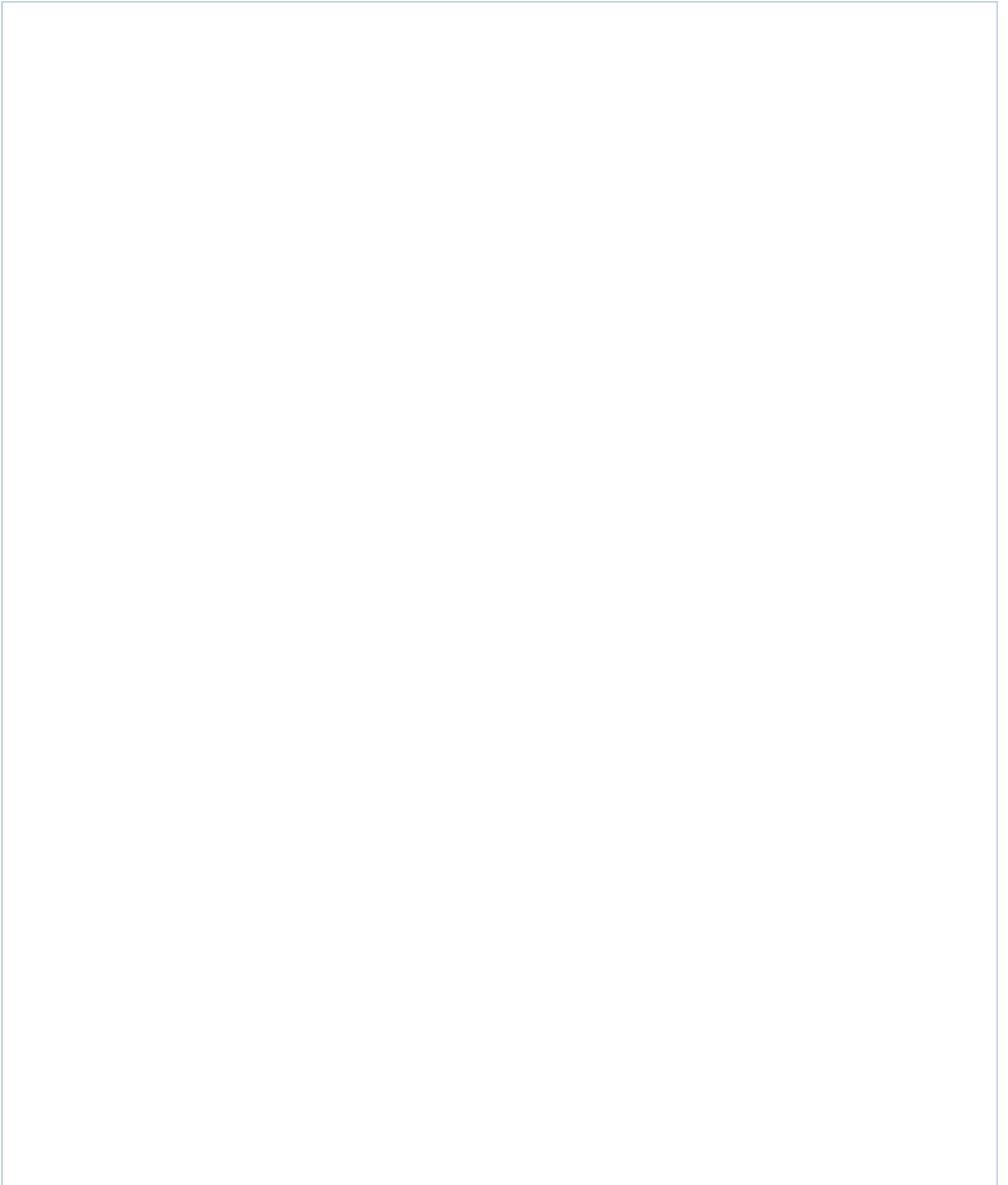
Power Rating: 10 Watt
Earthing: via M6 screw



PRODUCT DATASHEET

NF-RE60

Elliptical Waveguide to Type N Female Coax Adapter



NF-RE60

REV : A

REV DATE : 07 Sep 2015

www.rfsworld.com