



Radio Frequency Systems line of high performance coaxial cable connectors are designed specifically to provide the highest quality connector-cable interface while simplifying and speeding up the attachment of connectors to HELIFLEX® coaxial cables. RFS connectors are fully tested for mechanical and electrical compliance specifications. They are available in all popular cable sizes in a variety of mating interfaces. The N connector is one of the most common RF connector types. N type connectors from RFS will be delivered with a non-slotted outer conductor contact sleeve and a special gasket. Due to a special design of the coupling nut (without spring ring) N connectors can be tightened with increased torque. This increases the contact pressure.



Connector N plug CAF

**FEATURES / BENEFITS**

- Excellent gas tightness, Overpressure for increased voltage handling is maintained throughout the system
- Robust Mechanical Design, Superior and consistent performance guarantees outstanding system characteristics.
- Extremely low reflection factor, Outstanding low reflection factor improves overall system performance and margin and reduces mismatch losses
- Totally Waterproof according to IP 68, Assures safe, long term operation in the harshest of environments. System tightness doesn't have to rely on overpressure from dehydration equipment.

**Technical features**

**GENERAL SPECIFICATIONS**

Transmission Line Type		Coaxial Cable
Cable Size		7/8
Cable Type		Air Dielectric
Model Series		HCA78-50 Series
Connector Interface		N
Connector Type		RAPID FIT™
Sealing Method		Sealing compound <sup>1)</sup>
Gender		Male

**MECHANICAL SPECIFICATIONS**

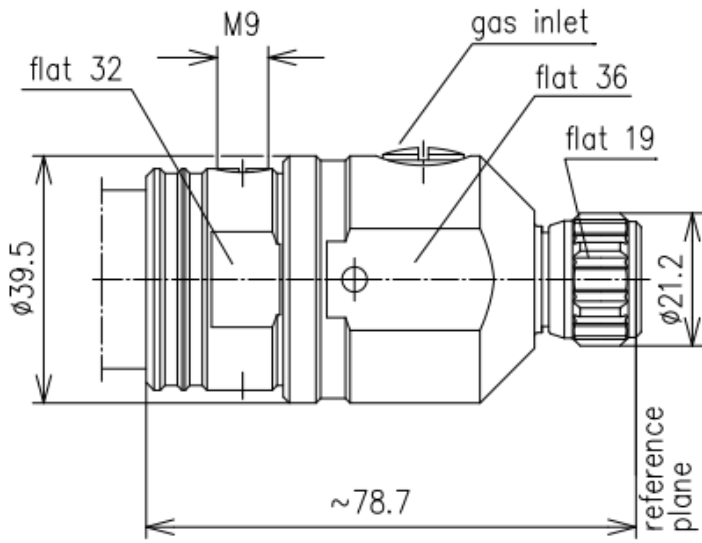
Plating Outer/Inner		Silver/Silver
Length	mm (in)	80 (3.15)
Outer Diameter	mm (in)	39.5 (1.55)
Inner Contact Attachment		Spring Finger
Outer Contact Attachment		Threaded

**ACCESSORIES**

Wrench size front	mm (in)	36 (1-7/16)
Wrench size rear	mm (in)	32 (1-1/4)

**TESTING AND ENVIRONMENTAL**

Sealing Volume, cm <sup>3</sup> (ounces)	cm <sup>3</sup> (ounces)	5 (0.17)
--	--------------------------	----------



External Document Links

[Installation Instruction](#)

Notes

1) The sealing compound must be ordered separately.