



OMNI FIT™ high performance connectors are designed for use with both CELLFLEX® (copper) and CELLFLEX® Lite (aluminum) cables. They are designed specifically to provide the highest quality connector-cable interface while simplifying and speeding up connector attachment. All RFS connectors are fully tested for mechanical and electrical compliance to industry specifications.

The N connector is one of the most common RF connector types and meets all requirements even under the most severe environmental conditions.

**FEATURES / BENEFITS**

- Cost effective two-piece design for safe and easy installation
- Compatible with copper and aluminium cable types i.e. one connector for both outer conductor materials eliminates the risk of faulty connector installation and helps to keep inventory down
- Robust mechanical design for low and consistent intermodulation performance i.e. keeps the mobile network performance up, reduces the number of dropped calls and avoids revenue losses
- Standard electrical performance for consistent and repeatable VSWR i.e. ensure network system performance
- Waterproof to IP 68 i.e. no downtime risk, secures revenue
- RoHS (EU) compliant i.e. can be used on a global basis



OMNI FIT™ Standard Connectors

**Technical features**

**GENERAL SPECIFICATIONS**

<b>Transmission Line Type</b>		Coaxial Cable			
<b>Cable Size</b>		1-1/4			
<b>Cable Type</b>		Foam Dielectric	Ultraflexible		Radiating
<b>Model Series</b>		UCF114-50A	LCFS114-50A	UCF114-50L	LCFS114-50L Series
<b>Connector Interface</b>		N			
<b>Connector Type</b>		OMNI FIT™ Standard			
<b>Sealing Method</b>		O-ring			
<b>Gender</b>		Male			

**ELECTRICAL SPECIFICATIONS**

<b>Nominal Impedance, ohms</b>	Ohm	50			
<b>3rd Order IM Product @ 2x20 Watts</b>	dBc	-159 typical			
<b>Maximum Frequency</b>	GHz	3.6			
<b>VSWR, Return Loss</b>	VSWR (dB)	0 <math>f \le 1.0 \text{ GHz}</math>: 1.03 (36.6) 1.0 <math>f \le 2.7 \text{ GHz}</math>: 1.04 (34.1) 2.7 <math>f \le 3.7 \text{ GHz}</math>: 1.08 (28.3)			

**MECHANICAL SPECIFICATIONS**

<b>Plating Outer/Inner</b>		Trimetal/Silver			
<b>Length</b>	mm (in)	75.7 (2.98)			
<b>Outer Diameter</b>	mm (in)	48.8 (1.92)			
<b>Weight</b>	kg (lb)	0.361 (0.79)			
<b>Inner Contact Attachment</b>		Spring Finger			
<b>Outer Contact Attachment</b>		Spring C-Ring			

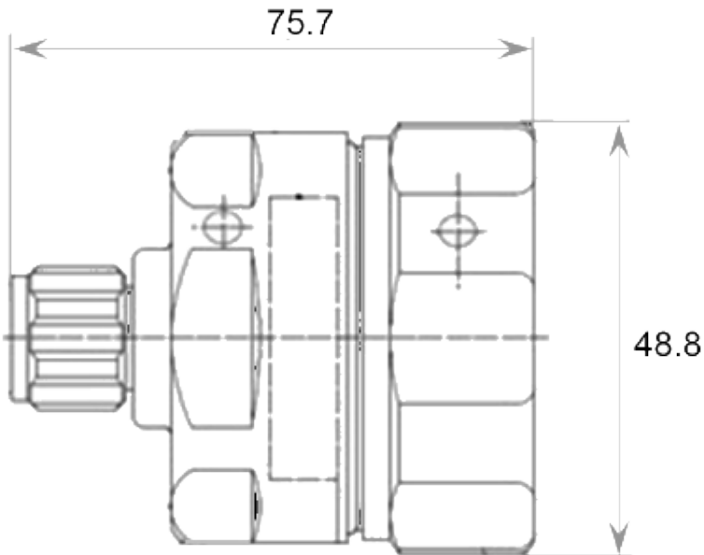


**ACCESSORIES**

<b>Wrench size front</b>	mm (in)	Open end wrench 45 (1-3/4)
<b>Wrench size rear</b>	mm (in)	Open end wrench 45 (1-3/4)
<b>Poly Hook Spanner</b>	mm (in)	PHS 60-90-5 Ø 60-90 (2.3-3.5) Pin 5 (0.2)
<b>Trimming Tool</b>		TRIM-SET-L114-C02

**TESTING AND ENVIRONMENTAL**

<b>Waterproof Level</b>		IP68
-------------------------	--	------



**External Document Links**

[Application Note](#)

[Installation Instruction](#)

**Notes**