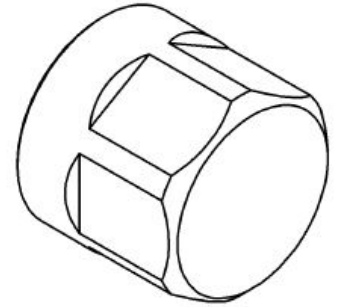




Blind cover for connector NEX10 Female

FEATURES / BENEFITS



Technical features

STRUCTURE

Product Line		Coaxial Cable Components
Product Type		Coaxial Cap
Coaxial Cable Type		Foam Dielectric, Ultraflexible Foam Dielectric, Radiating Cable
Connector Interface		NX Male

MECHANICAL SPECIFICATIONS

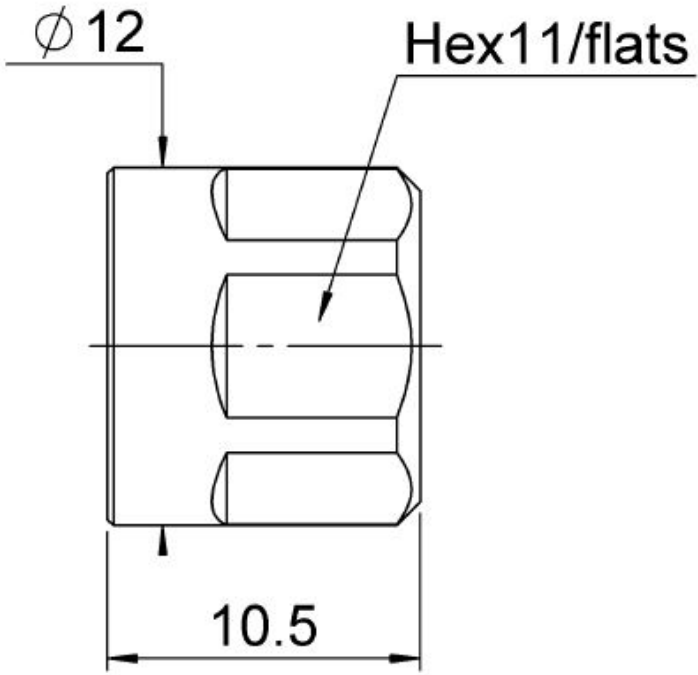
Configuration		Cover (blind) for NX Female
Body		Brass with Tri Metal Plating
Sealing class		IP67

TEMPERATURE SPECIFICATIONS

Operation Temperature	°C (°F)	-45 to 85 (-49 to 185)
-----------------------	---------	------------------------

PACKAGING INFORMATION

Package Quantity		1
------------------	--	---



[External Document Links](#)

[Notes](#)