



P5P-700 broadband panel systems are designed for FeMBMS (Further evolved Multimedia Broadcast Multicast Service) applications in LTE and 5G 700 MHz bands. The P5P-700 panel antennas are designed as a building block for integration into complex antenna arrays suitable for high power broadcast mode overlay cells in LTE or 5G networks.



**FEATURES / BENEFITS**

- High power Broadcast overlay mode reduces load on regular unicast LTE cells.
- Radiation patterns can be configured to maximize coverage where most needed.
- Circular or Elliptical polarization to improve in-building reception on portable devices.
- Independent polarization inputs allowing MIMO or MISO using orthogonal polarization.
- Traditional broadcast and LTE/5G can share the same antenna using VPT combiners.
- Omnidirectional or custom directional radiation patterns.
- Low wind loading.

**Technical features**

**STRUCTURE**

<b>Product Line</b>		P5P-700
<b>Product Type</b>		Antenna 5G Television

**ELECTRICAL SPECIFICATIONS**

<b>Frequency Range</b>	MHz	694 - 806
<b>Polarization</b>		Horizontal Vertical Circular Elliptical Variable MIMO
<b>Nominal Gain (Mid-band)</b>	dBd	Refer to application Guide
<b>VSWR</b>		1.2:1
<b>Power Rating</b>	kW	2 x 2.5
<b>Impedance (unbalanced)</b>	$\Omega$	50

**MECHANICAL SPECIFICATIONS**

<b>Number of Channels</b>		Multichannel
<b>Input Connector</b>		2 x 7/8" EIA
<b>Dimensions (Height or Length)</b>	cm (in)	94.0 (37)
<b>Dimensions (Width)</b>	cm (in)	50.0 (19.7)
<b>Dimensions (Depth)</b>	cm (in)	28.8 (11.3)
<b>Effective Area Front (full antenna) No Ice</b>	m <sup>2</sup> (ft <sup>2</sup> )	Refer to Application Guide
<b>Design Wind Speed</b>	km/h (mph)	240 (150)
<b>Pressurization Operational</b>	kPa (psi)	7 - 21 (1 - 3)
<b>Pressurization Test</b>	kPa (psi)	100 (15)

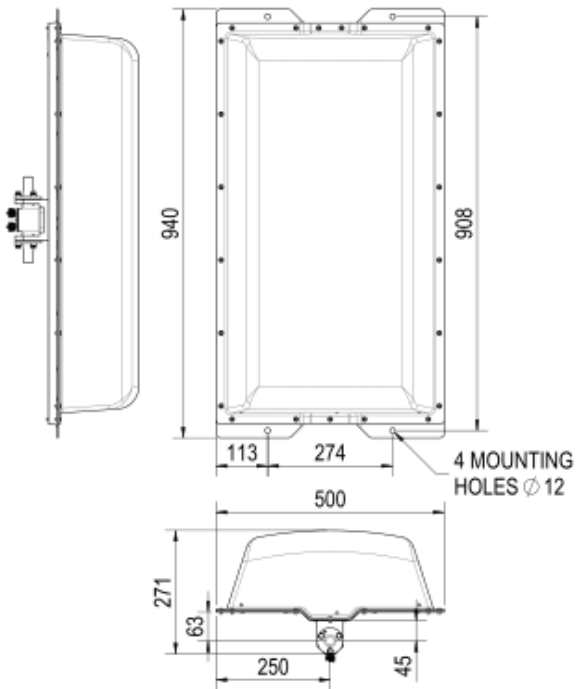
**MATERIAL**

<b>Material - Insulators</b>		PTFE
<b>Material - Radiators</b>		Corrosion resistant aluminum
<b>Material - Reflecting Screen</b>		Corrosion resistant aluminum
<b>Colour</b>		White radome standard, other colours upon request

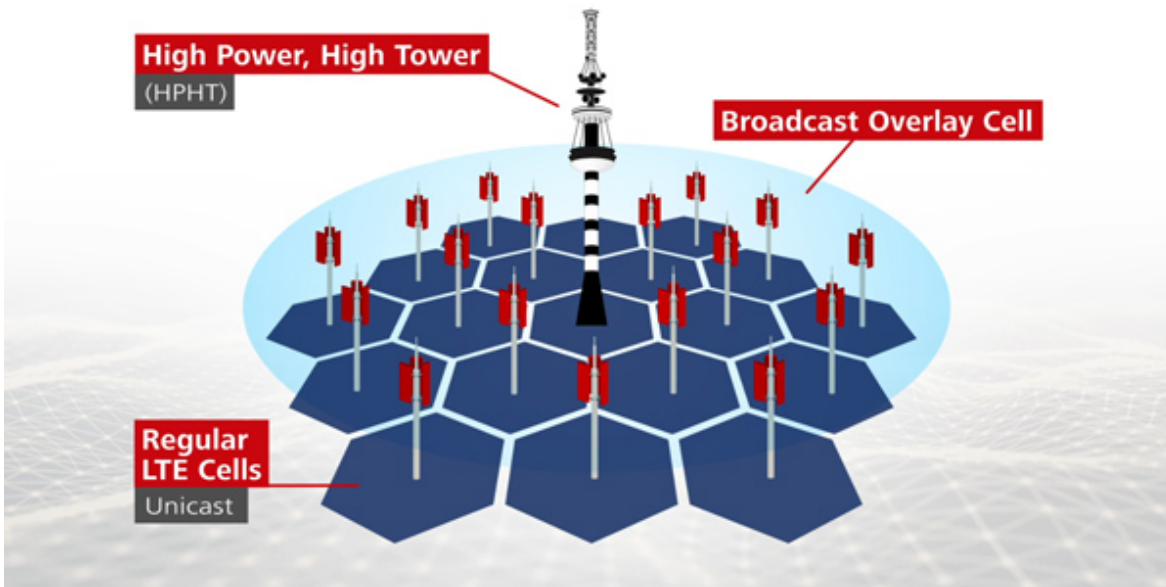


**P5P-700**

5G-TV Antenna for FeMBMS



P5P-700 Dimensions



LTE Broadcast Overlay Cell Concept

[External Document Links](#)

[Notes](#)