



RFS Microwave Antennas are designed for microwave systems in all common frequency ranges from 4 GHz to 24 GHz. This allows the use of antennas in areas where extreme wind conditions are normal. The antennas utilise a conventional feed system and are available in three performance classes offering complete flexibility when designing a network. Standard Performance antennas are economical solutions for systems where side lobe suppression is of less importance. These antennas are required for use in networks where there is a low interference potential. Antennas are available in 2 ft (0.6m) to 12 ft (3.7m) diameters. Antennas from 4ft up to 12 ft (3.7m) can be equipped with a moulded radome to reduce wind load and to protect the feed against the accumulation of ice and snow.



Antenna

**FEATURES / BENEFITS**

- Field-proven reliability and long life
- Withstanding winds up to 200 km/h (125 mph), an optional sway bar is available for added assurance in case mistakes are made during installation
- A single-piece configuration and compact packaging to reduce transportation costs
- Frequencies ranging from 4 GHz to 15 GHz with support for two wideband frequency ranges (5.725-6.875 and 7.125-8.5 GHz) to reduce antenna requirements and simplify logistics

**Technical features**

**GENERAL SPECIFICATIONS**

<b>Product Type</b>		Point to point antennas
<b>Profile</b>		TrunkLine
<b>Performance</b>		Improved Performance
<b>Polarization</b>		Single
<b>Antenna Input</b>		CPR137G
<b>Reflector</b>		1-part
<b>Radome</b>		Conical
<b>Antenna color</b>		White RAL 9010
<b>Swaybar</b>		1: (3.0 m x Ø60 mm)

**ELECTRICAL SPECIFICATIONS**

<b>Frequency</b>	GHz	5.925 - 6.425
<b>3dB beamwidth</b>	degrees	1.4
<b>Low Band Gain</b>	dBi	40.4
<b>Mid Band Gain</b>	dBi	40.8
<b>High Band Gain</b>	dBi	41.1
<b>F/B Ratio</b>	dB	57
<b>XPD</b>	dB	30
<b>Max VSWR / R L</b>	VSWR / dB	1.1 (26.4)
<b>Regulatory Compliance</b>		FCC Category A



**MECHANICAL SPECIFICATIONS**

Diameter	ft (m)	8 (2.4)
Elevation Adjustment	degrees	± 5
Azimuth Adjustment	degrees	± 5
Polarization Adjustment	degrees	± 5
Mounting Pipe Diameter minimum	mm (in)	114 (4.5)
Mounting Pipe Diameter maximum	mm (in)	114 (4.5)
Approximate Weight	kg (lb)	175 (384)
Survival Windspeed	km/h (mph)	200 (125)
Operational Windspeed	km/h (mph)	190 (118)

**STRUCTURE**

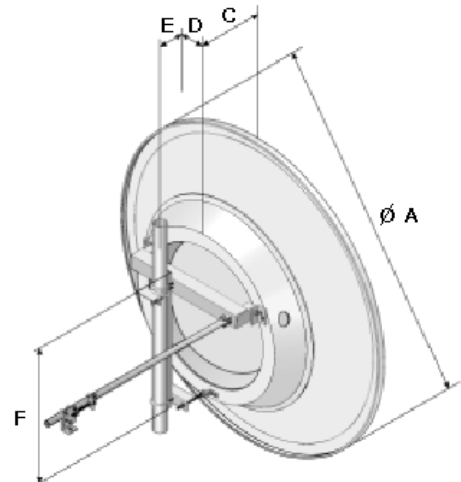
Radome Material	Fiberglass
-----------------	------------

**FURTHER ACCESSORIES**

optional Swaybar	1: SMA-SK-60-3000A (3.0 m x Ø60 mm)
Further Accessories	SMA-SKO-UNIVERSAL-L : Universal sway bar fixation kit

**MOUNTOUTLINE**

Dimension_A	mm (in)	2616 (103.4)
Dimension_C	mm (in)	460 (18.1)
Dim_D- 114mm(4.5_in)Pipe	mm (in)	190 (7.5)
Dimension_E	mm (in)	310 (12.3)
Dimension_F	mm (in)	1120 (44.1)





**WINDLOAD**

<b>Fs Side force max. @ survival wind speed</b>	N (lb)	5141 (1156)
<b>M Torque maximum @ survival wind speed Nm (ft lb)</b>	Nm (lb ft)	5977 (4409)
<b>Fa Axial force max. @ survival wind speed</b>	N (lb)	8298 (1866)



**External Document Links**

- [Complete Antenna installation](#)
- [RPE \(IQ-Link format\)](#)
- [RPE \(PDF format\)](#)
- [RPE \(Pathloss format\)](#)

**Notes**

Only available in North America