



PAD8-W57ACTS1R

TrunkLine Antenna, Standard (FCC 101, Cat A) , Single Polarized, 8 ft, 5.725 to 6.875GHz, Two Extra Swaybars at Reflector Rim, with Radome

RFS TrunkLine Microwave Antennas are designed for microwave systems in all common frequency ranges from 4 GHz to 24 GHz. This allows the use of antennas in areas where extreme wind conditions are normal. The antennas utilise a conventional feed system and are available in three performance classes offering complete flexibility when designing a network. Standard Performance antennas are economical solutions for systems where side lobe suppression is of less importance. These antennas are required for use in networks where there is a low interference potential. Antennas are available in 2 ft (0.6m) to 12 ft (3.7m) diameters. Antennas from 4ft up to 12 ft (3.7m) can be equipped with a moulded radome to reduce wind load and to protect the feed against the accumulation of ice and snow.



Antenna

FEATURES / BENEFITS

- Field-proven reliability and long life
- Withstanding winds up to 200 km/h (125 mph), an optional sway bar is available for added assurance in case mistakes are made during installation
- A single-piece configuration and compact packaging to reduce transportation costs
- Frequencies ranging from 4 GHz to 15 GHz with support of wideband frequency ranges in 6GHz to reduce antenna requirements and simplify logistics

Technical features

GENERAL SPECIFICATIONS

Product Type		Point to point antennas
Profile		TrunkLine
Performance		Improved Performance
Polarization		Single
Antenna Input		CPR137G
Reflector		1-part
Radome		Included, White RAL 9010
Antenna color		White RAL 9010
Swaybar		1: (3.0 m x Ø60 mm)

ELECTRICAL SPECIFICATIONS

Frequency	GHz	5.725 - 6.875
3dB beamwidth	degrees	1.4
Low Band Gain	dBi	40.6
Mid Band Gain	dBi	41.4
High Band Gain	dBi	42.2
F/B Ratio	dB	57
XPD	dB	30
Max VSWR / R L	VSWR / dB	1.15 (23.1)
Regulatory Compliance		FCC Category A



PAD8-W57ACTS1R

TrunkLine Antenna, Standard (FCC 101, Cat A) , Single Polarized, 8 ft, 5.725 to 6.875GHz, Two Extra Swaybars at Reflector Rim, with Radome

MECHANICAL SPECIFICATIONS

Diameter	ft (m)	8 (2.4)
Elevation Adjustment	degrees	± 5
Azimuth Adjustment	degrees	± 5
Polarization Adjustment	degrees	± 5
Mounting Pipe Diameter minimum	mm (in)	114 (4.5)
Mounting Pipe Diameter maximum	mm (in)	114 (4.5)
Approximate Weight	kg (lb)	130 (285)
Survival Windspeed	km/h (mph)	200 (125)
Operational Windspeed	km/h (mph)	190 (118)

STRUCTURE

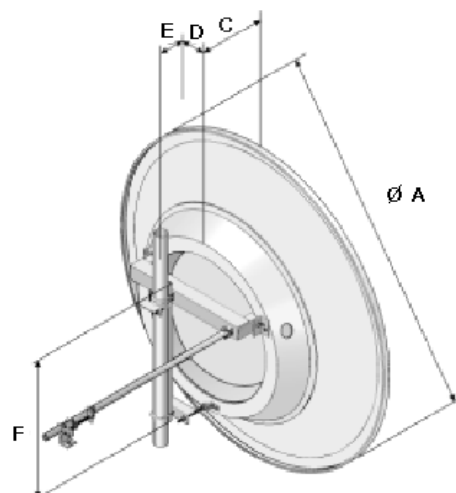
Radome Material	Fiberglass
-----------------	------------

FURTHER ACCESSORIES

optional Swaybar	3: SMA-SK-60-3000A (3.0 m x Ø60 mm)
Further Accessories	SMA-SKO-UNIVERSAL-L : Universal sway bar fixation kit

MOUNTOUTLINE

Dimension_A	mm (in)	2616 (103.4)
Dimension_C	mm (in)	460 (18.1)
Dim_D- 114mm(4.5_in)Pipe	mm (in)	190 (7.5)
Dimension_E	mm (in)	310 (12.3)
Dimension_F	mm (in)	1120 (44.1)



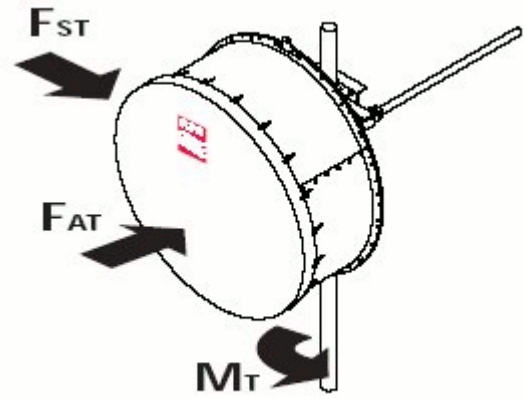


PAD8-W57ACTS1R

TrunkLine Antenna, Standard (FCC 101, Cat A) , Single Polarized, 8 ft, 5.725 to 6.875GHz, Two Extra Swaybars at Reflector Rim, with Radome

WINDLOAD

Fs Side force max. @ survival wind speed	N (lb)	4980 (1115)
M Torque maximum @ survival wind speed Nm (ft lb)	Nm (lb ft)	6470 (4800)
Fa Axial force max. @ survival wind speed	N (lb)	16940 (3795)



External Document Links

- [Complete Antenna installation](#)
- [RPE \(IQ-Link format\)](#)
- [RPE \(PDF format\)](#)
- [RPE \(Pathloss format\)](#)

Notes

Only available in North America