



**PADX10-W59AC1SGR**

TrunkLine Antenna, Standard (FCC 101, Cat A) , Dual Polarized, 10 ft

RFS Microwave Antennas are designed for microwave systems in all common frequency ranges from 4 GHz to 24 GHz. This allows the use of antennas in areas where extreme wind conditions are normal. The antennas utilise a conventional feed system and are available in three performance classes offering complete flexibility when designing a network. Standard Performance antennas are economical solutions for systems where side lobe suppression is of less importance. These antennas are required for use in networks where there is a low interference potential. Antennas are available in 2 ft (0.6m) to 12 ft (3.7m) diameters. Antennas from 4ft up to 12 ft (3.7m) can be equipped with a moulded radome to reduce wind load and to protect the feed against the accumulation of ice and snow.



PAD(X)\_Radom

**FEATURES / BENEFITS**

- Field-proven reliability and long life
- Withstanding winds up to 200 km/h (125 mph), an optional sway bar is available for added assurance in case mistakes are made during installation
- A single-piece configuration and compact packaging to reduce transportation costs
- Frequencies ranging from 4 GHz to 15 GHz with support for two wideband frequency ranges (5.725-6.875 and 7.125-8.5 GHz) to reduce antenna requirements and simplify logistics

**Technical features**

**GENERAL SPECIFICATIONS**

Product Type		Point to point antennas
Profile		TrunkLine
Performance		Improved Performance
Polarization		Dual
Antenna Input		CPR137G
Reflector		1-part
Radome		Conical
Antenna color		Gray RAL 7000
Swaybar		1: (3.0 m x Ø60 mm)

**ELECTRICAL SPECIFICATIONS**

Frequency	GHz	5.925 - 6.875
3dB beamwidth	degrees	1.1
Low Band Gain	dBi	42.7
Mid Band Gain	dBi	43.4
High Band Gain	dBi	44
F/B Ratio	dB	59
XPD	dB	30
Max VSWR / R L	VSWR / dB	1.1 (26.4)
Regulatory Compliance		FCC Category A



**MECHANICAL SPECIFICATIONS**

Diameter	ft (m)	10 (3)
Elevation Adjustment	degrees	± 5
Azimuth Adjustment	degrees	± 5
Polarization Adjustment	degrees	± 5
Mounting Pipe Diameter minimum	mm (in)	114 (4.5)
Mounting Pipe Diameter maximum	mm (in)	114 (4.5)
Approximate Weight	kg (lb)	264 (580)
Survival Windspeed	km/h (mph)	200 (125)
Operational Windspeed	km/h (mph)	190 (118)

**STRUCTURE**

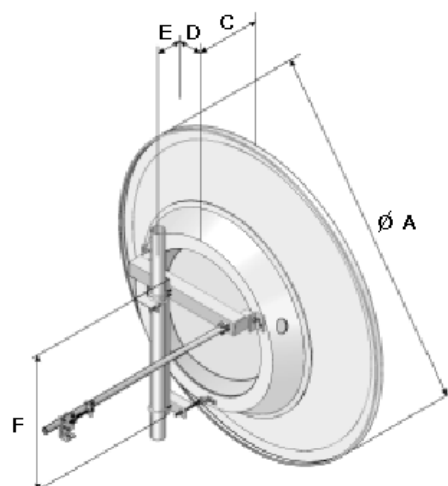
Radome Material	Fiberglass
-----------------	------------

**FURTHER ACCESSORIES**

optional Swaybar	1: SMA-SK-60-3000A (3.0 m x Ø60 mm)
Further Accessories	SMA-SKO-UNIVERSAL-L : Universal sway bar fixation kit

**MOUNTOUTLINE**

Dimension_A	mm (in)	3170 (125.3)
Dimension_C	mm (in)	550 (21.7)
Dim_D- 114mm(4.5_in)Pipe	mm (in)	190 (7.5)
Dimension_E	mm (in)	370 (14.6)
Dimension_F	mm (in)	1440 (56.9)





**WINDLOAD**

<b>Fs Side force max. @ survival wind speed</b>	N (lb)	7520 (1684)
<b>M Torque maximum @ survival wind speed Nm (ft lb)</b>	Nm (lb ft)	11260 (8400)
<b>Fa Axial force max. @ survival wind speed</b>	N (lb)	25570 (5728)



**External Document Links**

- [Complete Antenna installation](#)
- [RPE \(IQ-Link format\)](#)
- [RPE \(PDF format\)](#)
- [RPE \(Pathloss format\)](#)

**Notes**

Only available in North America