



RFS PDS*-43 series Power Splitters have been designed for a variety of wireless applications in the frequency band from 694 to 3800MHz. The units evenly split and distribute wireless signals with minimal reflections or loss. The broad frequency range and outstanding PIM rating is ideally suited for multi-band distributed antenna systems or in combination with RADIAFLEX® radiating cables.



FEATURES / BENEFITS

- **4.3-10-female interfaces**
- **PIM optimized design (160dBc @ 2x43dBm)**
- **Ideal for all kind of DAS applications**
- **Low insertion loss**
- **High power handling**
- **Small size, Low weight**

Technical features

STRUCTURE

Product Type		Power Divider
Techn. Application		Indoor
Number of Input Ports		1
Number of Output Ports		6
Connectors		4.3-10-female

ELECTRICAL SPECIFICATIONS

Frequency Range	MHz	694 - 3800
Impedance	Ohm	50
Max. VSWR / RL	VSWR/dB	1.4 (15.5) @ - GHz
Split Loss	dB	8.6
Intermodulation (IM3)		-160 dBc with 2x43 dBm tones
Total Input Power	W	400

TEMPERATURE SPECIFICATIONS

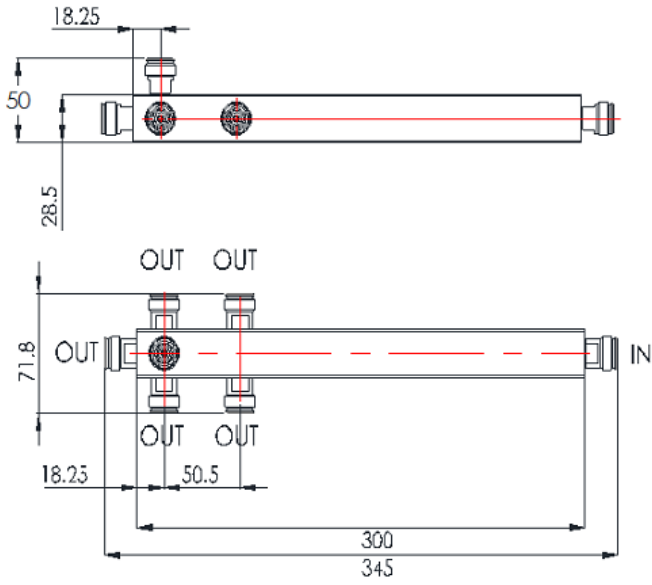
Temperature Range	°C (°F)	-25 to +65 (-13 to +149)
-------------------	---------	--------------------------

MECHANICAL SPECIFICATIONS

Height (Less Connectors)	mm (in)	50 (1.97)
Width (Less Connectors)	mm (in)	71.8 (2.83)
Length (Less Connectors)	mm (in)	345 (13.58)

TESTING AND ENVIRONMENTAL

Environmental Class		Indoor
---------------------	--	--------



External Document Links

Notes

Mounting hardware not included