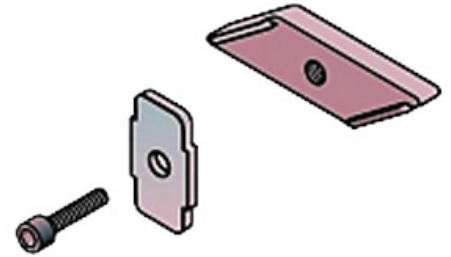




The set consists of a clamping plate made of aluminium including stainless steel reinforcement plate and stainless steel screw M6

FEATURES / BENEFITS



Technical features

GENERAL SPECIFICATIONS

Product Line		Coaxial Cable Accessories Elliptical Waveguide Accessories
Product Type		Hanger
Hanger Type		RSB clamping plate for anchor bar
Installation Hardware Type		Anchor bar with slotwidth 18 to 22 mm (0.7 to 0.9 inch)
Cable Type		Coaxial Foam Dielectric

MECHANICAL SPECIFICATIONS

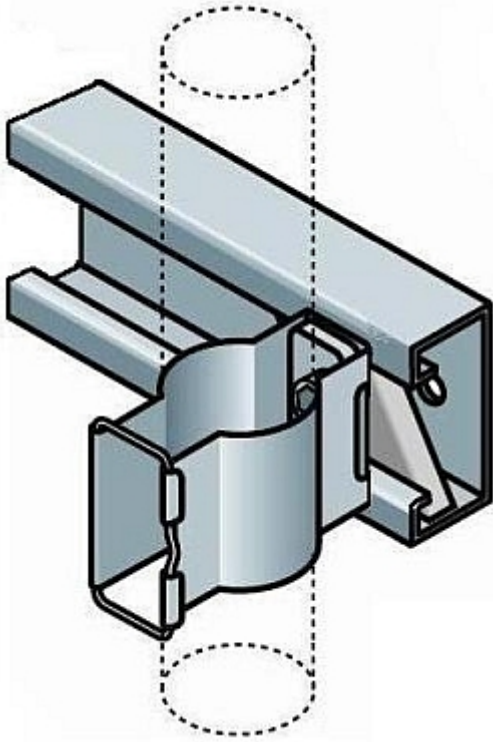
Number of Cable / Waveguide Runs		1
Material		Clamping plate: Aluminium Reinforcement plate: Stainless steel Screw: Stainless steel

TEMPERATURE SPECIFICATIONS

Installation Temperature	°C (°F)	-50 to 85 (-58 to 185)
Operation Temperature	°C (°F)	-50 to 85 (-58 to 185)
Storage Temperature	°C (°F)	-50 to 85 (-58 to 185)

PACKAGING INFORMATION

Package Quantity		10
-------------------------	--	----



[External Document Links](#)

[Notes](#)