



RSB -Clip with clamp lining for SCF12 cable

**FEATURES / BENEFITS**

The RSB-Clip is designed for the installation of feeder cables from sizes 1/4" up to 1-5/8". The clip is a universal clamp device and can be used in many mounting configuration. The RSB-Clip is made of stainless steel. The hanger is resistant against all environmental influences. Due to the mechanical construction, a cable deformation is impossible. Therefore, a deterioration of the electrical properties is avoided.



**Technical features**

**GENERAL SPECIFICATIONS**

<b>Product Line</b>		Coaxial Cable Accessories Hybrid Cable Accessories
<b>Product Type</b>		Hanger
<b>Hanger Type</b>		RSB-Clip (incl. clamp lining)
<b>Transmission Line Type</b>		SCF12
<b>Cable Type</b>		Superflexible Coaxial Foam Dielectric Ultraflexible Coaxial Foam Dielectric

**MECHANICAL SPECIFICATIONS**

<b>Cable Size</b>		1/2
<b>Number of Cable / Waveguide Runs</b>		1
<b>Material</b>		Clamp: Stainless steel Clamp lining: EPDM rubber
<b>Drill Hole Size</b>	mm (in)	8 (0.315)

**ACCESSORIES**

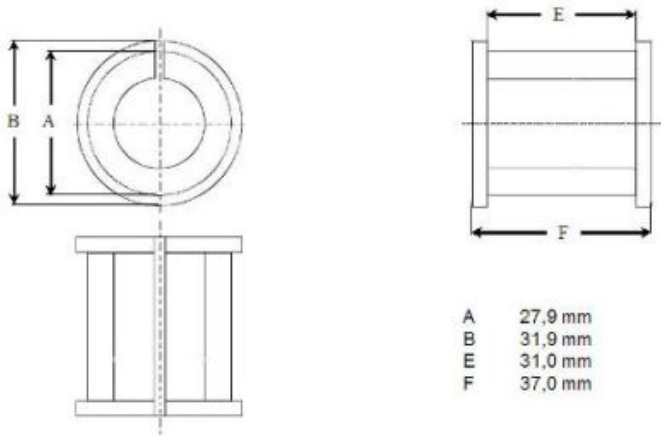
<b>Spare Part / Useful Accessories</b>		Cleat : RSB-310 Anchor bar fixation : RSB-315
--	--	--

**TEMPERATURE SPECIFICATIONS**

<b>Operation Temperature</b>	°C (°F)	-50 to 85 (-58 to 185 )
<b>Storage Temperature</b>	°C (°F)	-50 to 85 (-58 to 185 )

**PACKAGING INFORMATION**

<b>Package Quantity</b>		10
<b>Weight per piece</b>	kg (lb)	0.038 (0.082)
<b>Weight per kit</b>	kg (lb)	0.38 (0.82)



Technical Drawing

External Document Links

[Installation Instruction](#)

[Application Note RSB Clip](#)

Notes