



SC2-W71CB

CompactLine Easy Antenna, Ultra High Performance,
Single Polarized, 2 ft

RFS CompactLine® and CompactLine® Easy Antennas are designed for short-haul microwave systems in all common frequency ranges from 6 GHz to 86 GHz. They are typically deployed in dense urban areas, metropolitan and suburban locations, aggregation points. They are especially optimized to integrated radios to reduce costs, installation complexity and time.

FEATURES / BENEFITS

- Sizes ranging from 0.3 m (1 ft) to 1.8 m (6 ft)
- Frequencies ranging from 5.925 GHz to 86 GHz with support for four wideband frequency ranges (5.925-7.125, 7.125-8.5 ,10.0-11.7, and 71.0-86.0 GHz) to reduce antenna requirements and simplify logistics
- Single (SB and SC) and dual-polarized (SBX and SCX) models with the ability to upgrade from single to dual polarization and change frequencies in the field
- Low-profile design to reduce transportation requirements, wind load and antenna weight
- Simplified mounting design to accelerate installation
- CompactLine EASY models are extra light and easy to transport, deploy and upgrade
- Hardcover radomes
- Tested and validated ultra-high (ETSI EN 302 217-4-2 Class 3, FCC Class A) electrical performance
- Support for winds up to 250 km/h (155 mph) and even 320 km/h (195 mph) for SC1/SCX1
- An optional sway bar for antennas 3 ft and larger is available



Technical features

GENERAL SPECIFICATIONS

| | | |
|---------------|--|-------------------------|
| Product Type | | Point to point antennas |
| Profile | | CompactLineEasy |
| Performance | | Ultra High |
| Polarization | | Single |
| Antenna Input | | PBR 84 |
| Reflector | | 1-part |
| Radome | | Rigid |
| Antenna color | | White RAL 9010 |
| Swaybar | | 0: (not applicable) |

ELECTRICAL SPECIFICATIONS

| | | |
|-----------------------|-----------|--------------------------------|
| Frequency | GHz | 7.125 - 8.5 |
| 3dB beamwidth | degrees | 4.3 |
| Low Band Gain | dBi | 30.5 |
| Mid Band Gain | dBi | 31.7 |
| High Band Gain | dBi | 32.3 |
| F/B Ratio | dB | 57 |
| XPD | dB | 30 |
| Max VSWR / R L | VSWR / dB | 1.38 (16) |
| Regulatory Compliance | | ETSI EN 302217 Range 1 Class 3 |



SC2-W71CB

CompactLine Easy Antenna, Ultra High Performance,
Single Polarized, 2 ft

MECHANICAL SPECIFICATIONS

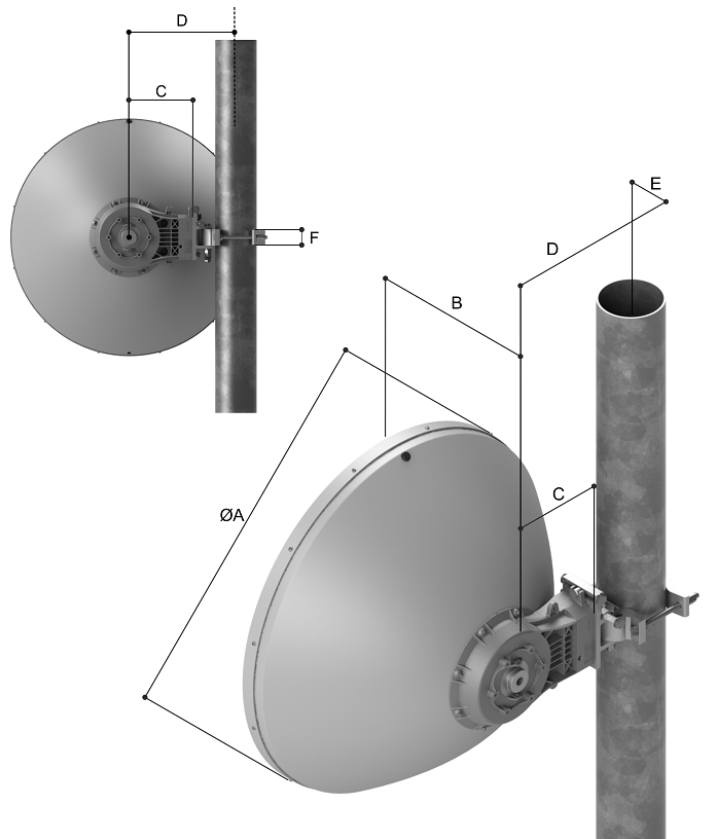
| | | |
|--------------------------------|------------|-----------|
| Diameter | ft (m) | 2 (0.6) |
| Elevation Adjustment | degrees | ± 15 |
| Azimuth Adjustment | degrees | ± 15 |
| Polarization Adjustment | degrees | ± 5 |
| Mounting Pipe Diameter minimum | mm (in) | 48 (1.9) |
| Mounting Pipe Diameter maximum | mm (in) | 114 (4.5) |
| Approximate Weight | kg (lb) | 7 (15.4) |
| Survival Windspeed | km/h (mph) | 252 (155) |
| Operational Windspeed | km/h (mph) | 180 (112) |

FURTHER ACCESSORIES

| | | |
|------------------|--|---------------------|
| optional Swaybar | | 0: (not applicable) |
|------------------|--|---------------------|

MOUNTOUTLINE

| | | |
|-------------------------|---------|------------|
| Dimension_A | mm (in) | 650 (25.6) |
| Dimension_B | mm (in) | 313 (12.3) |
| Dimension_C | mm (in) | 173 (6.8) |
| Dim_D-51mm(2_in)Pipe | mm (in) | 259 (10.2) |
| Dim_D-89mm(3.5_in)Pipe | mm (in) | 279.5 (11) |
| Dim_D-114mm(4.5_in)Pipe | mm (in) | 292 (11.5) |
| Dimension_E | mm (in) | 36 (1.4) |
| Dimension_F | mm (in) | 40 (1.6) |



Outline_2ft_CompactLineEasy_DeepRedesign

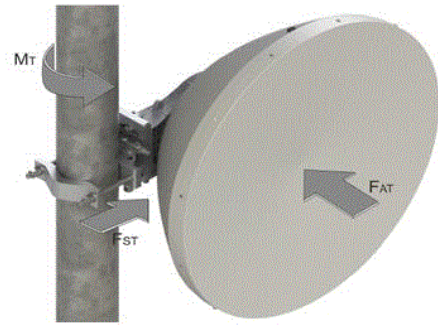


SC2-W71CB

CompactLine Easy Antenna, Ultra High Performance,
Single Polarized, 2 ft

WINDLOAD

| | | |
|--|------------|------------|
| Fs Side force max. @ survival wind speed | N (lb) | 613 (138) |
| Fa Axial force max. @ survival wind speed | N (lb) | 1238 (278) |
| M Torque maximum @ survival wind speed Nm (ft lb) | Nm (lb ft) | 420 (310) |



External Document Links

- [NMT-10-1020-00e](#)
- [NMT-20-1127-01e](#)
- [NMT-30-1126-00e](#)
- [SC2-W71C, 171001](#)
- [SC2-W71C, 171001](#)
- [SC2-W71C, 171001](#)

Notes