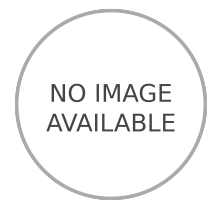




The TER Series are coaxial loads which operate from DC up to 3.8 GHz. The products are ideally suited for termination of unused ports in distributed antenna systems or in RADIAFLEX® radiating cables systems.



FEATURES / BENEFITS

- Ideal for all kind of DAS applications
- Finned termination for optimized heat dissipation
- Low VSWR

Technical features

GENERAL SPECIFICATIONS

Product Type		Load
Techn. Application		Indoor

ELECTRICAL SPECIFICATIONS

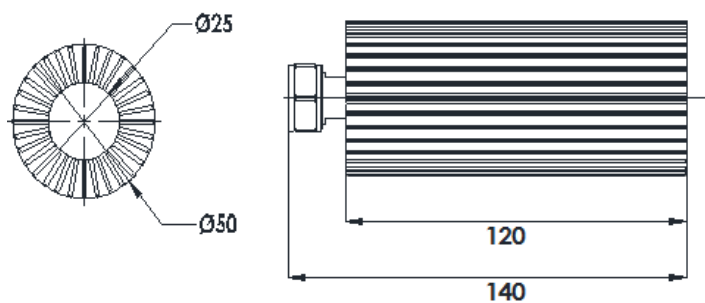
Frequency Range	MHz	DC-3.800
Impedance	Ohm	50
Max. VSWR / Return Loss, dB	VSWR/dB	/19
Total Input Power	W	30

MECHANICAL SPECIFICATIONS

Input Connector Type		4.3-10 male
Diameter	mm (in)	50 (1.97)
Length	mm (in)	140 (5.5)
Weight	kg (lb)	0.5 (1.1)

TEMPERATURE SPECIFICATIONS

Temperature Range	°C (°F)	-25 to 65 (-13 to 149)
Environmental Class		Indoor



External Document Links

Notes