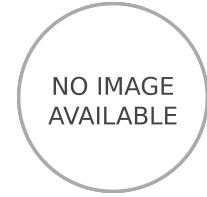




The 716-TER*3800MHz Series are coaxial loads which operate from DC up to 3.8 GHz. The products are ideally suited for termination of unused ports in distributed antenna systems or in RADIAFLEX® radiating cables systems.



FEATURES / BENEFITS

- Ideal for all kind of DAS applications
- Finned termination for heat dissipation
- Low VSWR

Technical features

GENERAL SPECIFICATIONS

Product Type		Load
Techn. Application		Indoor

ELECTRICAL SPECIFICATIONS

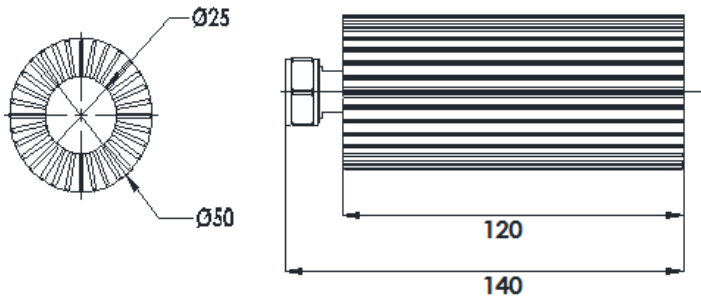
Frequency Range	MHz	DC-3.800
Impedance	Ohm	50
Max. VSWR / Return Loss, dB	VSWR/dB	/19
Total Input Power	W	20

MECHANICAL SPECIFICATIONS

Input Connector Type		716 male
Diameter	mm (in)	50 (1.97)
Length	mm (in)	140 (5.51)

TEMPERATURE SPECIFICATIONS

Temperature Range	°C (°F)	-25 to 65 (-13 to 149)
Environmental Class		Indoor



External Document Links

Notes