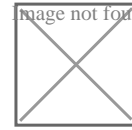




RFS TPS\* series of Tappers unevenly split high power cellular signals in fixed ratios from 30:1 to 2:1 with minimal reflections or loss over the wireless bands in the range 350 - 2700 MHz. The innovative asymmetric design ensures an excellent input VSWR and coupling flatness across the band. The lightweight design allows easy attachment to a wall. Designed with only a few solder joints and an air dielectric, loss is minimized and reliability enhanced.

Image not found or type unknown



**FEATURES / BENEFITS**

- **Splits in ratio 3:1**
- **Small size and weight**
- **500 Watt average power rating**
- **Minimal RF insertion loss**
- **High reliability**
- **7-16 DIN-female connectors**
- **Low PIM**

**Technical features**

**STRUCTURE**

Product Type		Unequal Divider/Tapper
Techn. Application		Indoor
Number of Input Ports		1
Number of Output Ports		2

**ELECTRICAL SPECIFICATIONS**

Impedance	Ohm	50
Input Power (Splitter mode) avg.	W	500
Frequency Range	MHz	<b>350 - 960 1710 - 2700</b>
Connector Type		<b>7-16 DIN female</b>
Max. VSWR / Return Loss	VSWR/dB	<b>1.30/17.7 (1.3)</b>
Insertion Loss max.	dB	<b>1.3</b>
Coupling Value	dB	<b>6.1</b>
Coupling Flatness max.	dB	<b>±0.8</b>
Intermodulation (IM3)		<b>150 dBc with 2x20 W tones</b>

**TEMPERATURE SPECIFICATIONS**

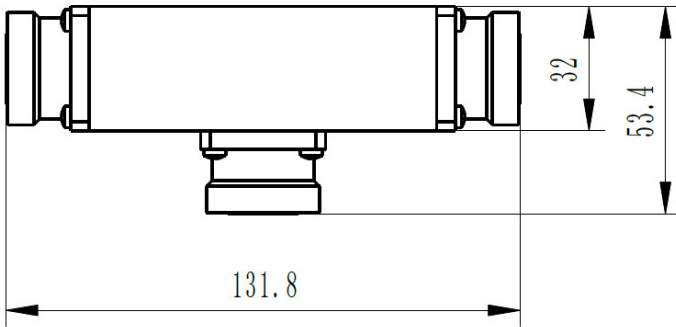
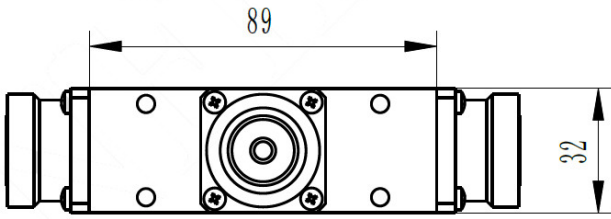
Temperature Range	°C (°F)	-10 to +55 (14 to +131)
-------------------	---------	-------------------------

**MECHANICAL SPECIFICATIONS**

Height	mm (in)	89 (3.5)
Width	mm (in)	32 (1.26)
Length	mm (in)	32 (1.26)

**TESTING AND ENVIRONMENTAL**

Environmental Class		IP65
---------------------	--	------



Dimensions in mm

[External Document Links](#)

[Notes](#)