



RFS Microwave Antennas are designed for microwave systems in all common frequency ranges from 4 GHz to 15 GHz. Different options of survival windspeeds are available. This allows the use of antennas in areas where extreme wind conditions are normal. The antennas utilise a conventional feed system and are available in three performance classes offering complete flexibility when designing a network. Ultra High Performance antennas are the optimum choice for systems where a high level of pattern performance is required because of high local radio congestion. These antennas are required for use in networks where there is a very high interference potential. Antennas are available in 6 ft (1.8m) to 12 ft (3.7m) diameters. The Ultra High Performance antennas are available in dual polarised (UDA) as well as in single polarised versions (UA). All antennas include a flexible radome to minimise its impact on the antenna's electrical characteristics.



Antenna

**FEATURES / BENEFITS**

- Field-proven reliability and long life
- Support for winds up to 200 km/h (125 mph) with high-wind versions that support winds up to 252 km/h (155 mph) and an optional sway bar for added assurance in case mistakes are made during installation
- A single-piece configuration and compact packaging to reduce transportation costs
- Frequencies ranging from 4 GHz to 15 GHz with support for two wideband frequency ranges (5.725-6.875 and 7.125-8.5 GHz) to reduce antenna requirements and simplify logistics

**Technical features**

**GENERAL SPECIFICATIONS**

<b>Product Type</b>		Point to point antennas
<b>Profile</b>		TrunkLine
<b>Performance</b>		Ultra High
<b>Polarization</b>		Dual
<b>Antenna Input</b>		PBR 84
<b>Reflector</b>		2-parts
<b>Radome</b>		flexible
<b>Antenna color</b>		White RAL 9010
<b>Swaybar</b>		1: (3.0 m x Ø60 mm)

**ELECTRICAL SPECIFICATIONS**

<b>Frequency</b>	GHz	7.125 - 8.5
<b>3dB beamwidth</b>	degrees	0.9
<b>Low Band Gain</b>	dBi	44.4
<b>Mid Band Gain</b>	dBi	45.1
<b>High Band Gain</b>	dBi	45.9
<b>F/B Ratio</b>	dB	73
<b>XPD</b>	dB	30
<b>IPI</b>	dB	35
<b>Max VSWR / R L</b>	VSWR / dB	1.1 (26.4)
<b>Regulatory Compliance</b>		ETSI EN 302217 Range 1, class 3



**MECHANICAL SPECIFICATIONS**

Diameter	ft (m)	10 (3)
Elevation Adjustment	degrees	± 5
Azimuth Adjustment	degrees	± 5
Polarization Adjustment	degrees	± 5
Mounting Pipe Diameter minimum	mm (in)	114 (4.5)
Mounting Pipe Diameter maximum	mm (in)	114 (4.5)
Approximate Weight	kg (lb)	290 (638)
Survival Windspeed	km/h (mph)	200 (125)
Operational Windspeed	km/h (mph)	190 (118)

**STRUCTURE**

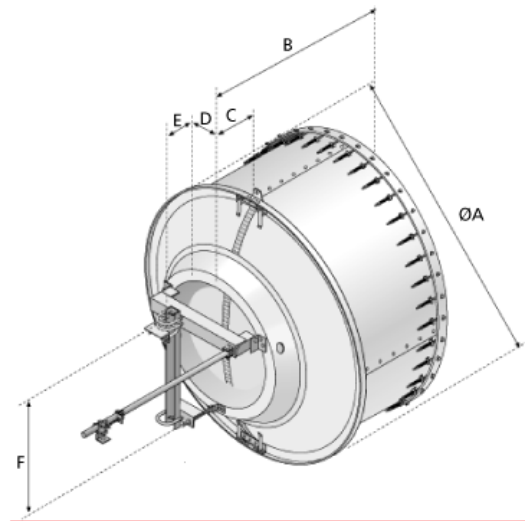
Radome Material	PVC coated fabric
-----------------	-------------------

**FURTHER ACCESSORIES**

optional Swaybar	1: SMA-SK-60-3000A (3.0 m x Ø60 mm)
Further Accessories	SMA-WK-10 : Wind Kit SMA-SKO-UNIVERSAL-L : Universal sway bar fixation kit

**MOUNTOUTLINE**

Dimension_A	mm (in)	3220 (126.8)
Dimension_B	mm (in)	1640 (64.6)
Dimension_C	mm (in)	550 (21.7)
Dim_D- 114mm(4.5_in)Pipe	mm (in)	190 (7.5)
Dimension_E	mm (in)	370 (14.6)
Dimension_F	mm (in)	1440 (56.9)





**WINDLOAD**

<b>F<sub>s</sub> Side force max. @ survival wind speed</b>	N (lb)	9590 (2148)
<b>M Torque maximum @ survival wind speed Nm (ft lb)</b>	Nm (lb ft)	10240 (7600)
<b>F<sub>a</sub> Axial force max. @ survival wind speed</b>	N (lb)	19370 (4340)



**External Document Links**

- [Complete Antenna installation](#)
- [RPE \(IQ-Link format\)](#)
- [RPE \(PDF format\)](#)
- [RPE \(Pathloss format\)](#)

**Notes**