



**UXA4-107DB2**

PrimeLine Antenna, Ultra High Performance,  
High Cross Polar Discrimination, Dual Polarized, 4 ft

RFS PrimeLine Antennas are designed for all microwave applications that require best RF performance, especially where interference could be an issue.  
A choice between tested and validated ultra-high (ETSI EN 302 217 Class 3 and FCC Class A) electrical performance.

Sizes ranging from 0.6 m (2 ft) to 4.6 m (15 ft)

Dual-polarized models with the ability to change frequencies in the field in most cases

**FEATURES / BENEFITS**

- Extremely high XPD performance for complete isolation between the radions in each polarization
- Excellent radiation pattern envelope (RPE), particularly in cross-polar area
- Support for winds up to 200 km/h (125 mph) with high-wind versions that support winds up to 252 km/h (155 mph)
- A single-piece configuration and compact packaging to reduce transportation costs
- Frequencies ranging from 6 GHz to 23 GHz



Antenna

**Technical features**

**GENERAL SPECIFICATIONS**

<b>Product Type</b>		Point to point antennas
<b>Profile</b>		PrimeLine
<b>Performance</b>		Ultra High, High Cross Polar Discrimination
<b>Polarization</b>		Dual
<b>Antenna Input</b>		PBR 100
<b>Reflector</b>		1-part
<b>Radome</b>		flexible
<b>Antenna color</b>		White RAL 9010
<b>Swaybar</b>		1: (1.35 m x Ø33 mm)

**ELECTRICAL SPECIFICATIONS**

<b>Frequency</b>	GHz	10.7 - 11.7
<b>3dB beamwidth</b>	degrees	1.5
<b>Low Band Gain</b>	dBi	40
<b>Mid Band Gain</b>	dBi	40.4
<b>High Band Gain</b>	dBi	40.8
<b>F/B Ratio</b>	dB	70
<b>XPD</b>	dB	40
<b>IPI</b>	dB	45
<b>Max VSWR / R L</b>	VSWR / dB	1.08 (28.3)
<b>Regulatory Compliance</b>		ETSI EN 302217 Range 1, class 3 FCC Category A IC SRSP 310.7 Std A



**UXA4-107DB2**

PrimeLine Antenna, Ultra High Performance,  
High Cross Polar Discrimination, Dual Polarized, 4 ft

**MECHANICAL SPECIFICATIONS**

Diameter	ft (m)	4 (1.2)
Elevation Adjustment	degrees	± 15
Azimuth Adjustment	degrees	± 15
Polarization Adjustment	degrees	± 5
Mounting Pipe Diameter minimum	mm (in)	114 (4.5)
Mounting Pipe Diameter maximum	mm (in)	114 (4.5)
Approximate Weight	kg (lb)	30 (66)
Survival Windspeed	km/h (mph)	252 (155)
Operational Windspeed	km/h (mph)	252 (155)

**STRUCTURE**

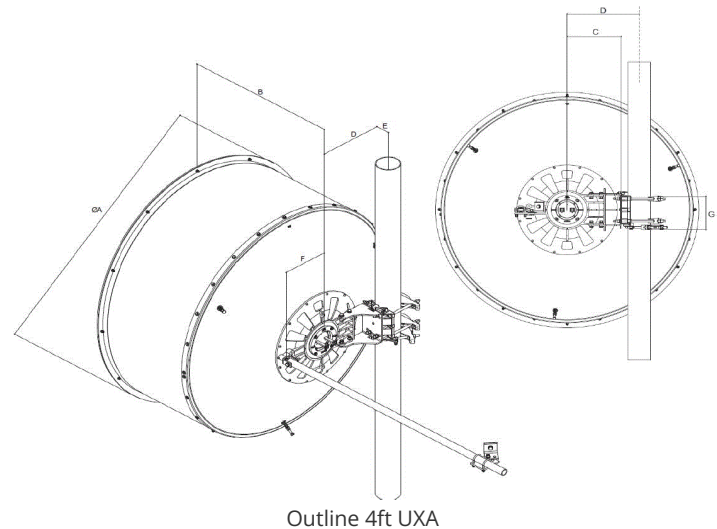
Radome Material	PVC coated fabric
-----------------	-------------------

**FURTHER ACCESSORIES**

optional Swaybar	1: SMA-SK-4 (1.35 m x Ø33 mm)
Further Accessories	SMA-SKO-UNIVERSAL : Universal sway bar fixation kit

**MOUNTOUTLINE**

Dimension_A	mm (in)	1313 (51.7)
Dimension_B	mm (in)	793 (31.2)
Dimension_C	mm (in)	248 (9.8)
Dim_D-114mm(4.5_in)Pipe	mm (in)	358 (14.1)
Dimension_E	mm (in)	59 (2.3)
Dimension_F	mm (in)	230 (9.1)
Dimension_G	mm (in)	186 (7.3)



Outline 4ft UXA

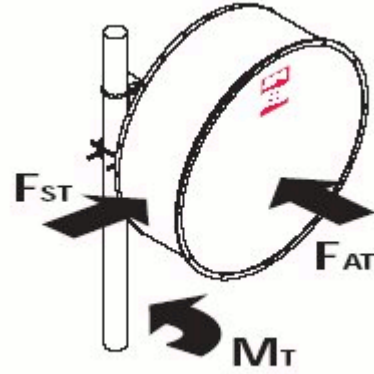


**UXA4-107DB2**

PrimeLine Antenna, Ultra High Performance,  
High Cross Polar Discrimination, Dual Polarized, 4 ft

**WINDLOAD**

<b>Fa Axial force max. @ survival wind speed</b>	N (lb)	5140 (1155)
<b>Fs Side force max. @ survival wind speed</b>	N (lb)	2547 (573)
<b>M Torque maximum @ survival wind speed Nm (ft lb)</b>	Nm (lb ft)	1648 (1215)



**External Document Links**

- [Reflector installation](#)
- [Feed installation](#)
- [Mount Installation](#)
- [RPE \(IQ-Link format\)](#)
- [RPE \(PDF format\)](#)
- [RPE \(Pathloss format\)](#)

**Notes**