



UXA4-65AC

PrimeLine Antenna, Ultra High Performance,
High Cross Polar Discrimination, Dual Polarized, 4 ft

RFS PrimeLine Antennas are designed for all microwave applications that require best RF performance, especially where interference could be an issue.
A choice between tested and validated ultra-high (ETSI EN 302 217 Class 3 and FCC Class A) electrical performance.

Sizes ranging from 0.6 m (2 ft) to 4.6 m (15 ft)

Dual-polarized models with the ability to change frequencies in the field in most cases

FEATURES / BENEFITS

- Extremely high XPD performance for complete isolation between the radions in each polarization
- Excellent radiation pattern envelope (RPE), particularly in cross-polar area
- Support for winds up to 200 km/h (125 mph) with high-wind versions that support winds up to 252 km/h (155 mph)
- A single-piece configuration and compact packaging to reduce transportation costs
- Frequencies ranging from 6 GHz to 23 GHz



Antenna

Technical features

GENERAL SPECIFICATIONS

Product Type		Point to point antennas
Profile		PrimeLine
Performance		Ultra High, High Cross Polar Discrimination
Polarization		Dual
Antenna Input		CPR137G
Reflector		1-part
Radome		flexible
Antenna color		White RAL 9010
Swaybar		0: (not applicable)

ELECTRICAL SPECIFICATIONS

Frequency	GHz	6.425 - 7.125
3dB beamwidth	degrees	2.5
Low Band Gain	dBi	34.8
Mid Band Gain	dBi	35.3
High Band Gain	dBi	35.7
F/B Ratio	dB	61
XPD	dB	38
IPI	dB	42
Max VSWR / R L	VSWR / dB	1.1 (26.4)
Regulatory Compliance		ETSI EN 302217 Range 1, class 3 FCC 101 Cat B2



UXA4-65AC

PrimeLine Antenna, Ultra High Performance,
High Cross Polar Discrimination, Dual Polarized, 4 ft

MECHANICAL SPECIFICATIONS

Diameter	ft (m)	4 (1.2)
Elevation Adjustment	degrees	± 5
Azimuth Adjustment	degrees	± 5
Polarization Adjustment	degrees	± 5
Mounting Pipe Diameter minimum	mm (in)	114 (4.5)
Mounting Pipe Diameter maximum	mm (in)	114 (4.5)
Approximate Weight	kg (lb)	45 (99)
Survival Windspeed	km/h (mph)	200 (125)
Operational Windspeed	km/h (mph)	190 (118)

STRUCTURE

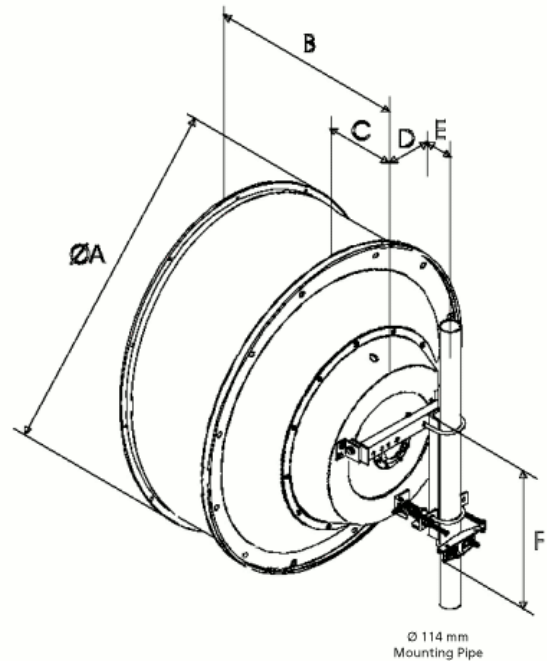
Radome Material	PVC coated fabric
-----------------	-------------------

FURTHER ACCESSORIES

optional Swaybar	0: (not applicable)
Further Accessories	SMA-WK-4 : Wind Kit SMA-SKO-UNIVERSAL : Universal sway bar fixation kit

MOUNTOUTLINE

Dimension_A	mm (in)	1313 (51.7)
Dimension_B	mm (in)	810 (31.8)
Dimension_C	mm (in)	230 (9.1)
Dim_D- 114mm(4.5_in)Pipe	mm (in)	144 (5.7)
Dimension_E	mm (in)	229 (9)
Dimension_F	mm (in)	590 (23.2)



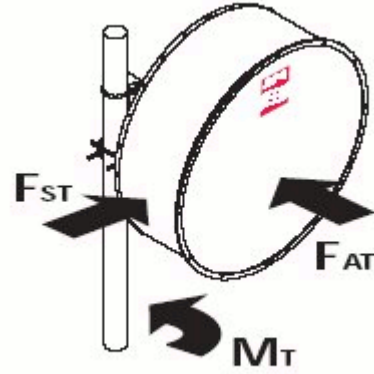


UXA4-65AC

PrimeLine Antenna, Ultra High Performance,
High Cross Polar Discrimination, Dual Polarized, 4 ft

WINDLOAD

Fa Axial force max. @ survival wind speed	N (lb)	3290 (737)
Fs Side force max. @ survival wind speed	N (lb)	1630 (365)
M Torque maximum @ survival wind speed Nm (ft lb)	Nm (lb ft)	1055 (784)



External Document Links

- [Complete Antenna installation](#)
- [RPE \(IQ-Link format\)](#)
- [RPE \(PDF format\)](#)
- [RPE \(Pathloss format\)](#)

Notes