



UXA6-107ACSQ1E

High Wind High Ice PrimeLine Antenna, Ultra High Performance, High Cross Polar Discrimination, Dual Polarized, 6 ft

RFS PrimeLine Antennas are designed for all microwave applications that require best RF performance, especially where interference could be an issue.

A choice between tested and validated ultra-high (ETSI EN 302 217 Class 3 and FCC Class A) electrical performance.

Sizes ranging from 0.6 m (2 ft) to 4.6 m (15 ft)

Dual-polarized models with the ability to change frequencies in the field in most cases

FEATURES / BENEFITS

- Extremely high XPD performance for complete isolation between the radions in each polarization
- Excellent radiation pattern envelope (RPE), particularly in cross-polar area
- Support for winds up to 200 km/h (125 mph) with high-wind versions that support winds up to 252 km/h (155 mph) and an optional sway bar for added assurance in case mistakes are made during installation
- A single-piece configuration and compact packaging to reduce transportation costs
- Frequencies ranging from 4 GHz to 23 GHz with support for one ultra wideband frequency range (5.725-7.125 GHz) to reduce antenna requirements and simplify logistics

The design of the model number UXA6-107ACSQ1E (HIGH WIND & HIGH ICE CONFIGURATION)

features :

- a reinforced mounting structure
- 3 sway bars, strategically located
- a PVC coated radome optimized for areas with high wind and snow appearance
- antenna and radome in white color

This specific design allow the antenna to survive in High Wind and High Ice climate and withstand :

- a 250km/h (155mph) survival wind speed with 25mm (1 inch) of radial ice
- a 225km/h (140mph) survival wind speed with 55mm (2 inches) of radial ice



Antenna with extreme radome

Technical features

GENERAL SPECIFICATIONS

| | | |
|---------------|--|---|
| Product Type | | Point to point antennas |
| Profile | | PrimeLine |
| Performance | | Ultra High, High Cross Polar Discrimination |
| Polarization | | Dual |
| Antenna Input | | CPR90G |
| Reflector | | 1-part |
| Radome | | flexible |
| Antenna color | | Gray RAL 7000 |
| Swaybar | | 3: 2 x (2.0 m x Ø60 mm), 1 x (1.5 m x Ø60 mm) |



UXA6-107ACSQ1E

High Wind High Ice PrimeLine Antenna, Ultra High Performance,
High Cross Polar Discrimination, Dual Polarized, 6 ft

ELECTRICAL SPECIFICATIONS

| | | |
|-----------------------|-----------|---|
| Frequency | GHz | 10.7 - 11.7 |
| 3dB beamwidth | degrees | 1 |
| Low Band Gain | dBi | 43.5 |
| Mid Band Gain | dBi | 43.8 |
| High Band Gain | dBi | 44.3 |
| F/B Ratio | dB | 73 |
| XPD | dB | 40 |
| IPI | dB | 45 |
| Max VSWR / R L | VSWR / dB | 1.06 (30.7) |
| Regulatory Compliance | | ETSI EN 302217 Range 1, class 3 FCC Category A |

MECHANICAL SPECIFICATIONS

| | | |
|--------------------------------|------------|-----------|
| Diameter | ft (m) | 6 (1.8) |
| Elevation Adjustment | degrees | ± 5 |
| Azimuth Adjustment | degrees | ± 5 |
| Polarization Adjustment | degrees | ± 5 |
| Mounting Pipe Diameter minimum | mm (in) | 114 (4.5) |
| Mounting Pipe Diameter maximum | mm (in) | 114 (4.5) |
| Approximate Weight | kg (lb) | 127 (280) |
| Survival Windspeed | km/h (mph) | 252 (155) |
| Operational Windspeed | km/h (mph) | 190 (118) |

STRUCTURE

| | | |
|-----------------|--|-------------------|
| Radome Material | | PVC coated fabric |
|-----------------|--|-------------------|

FURTHER ACCESSORIES

| | | |
|---------------------|--|---|
| optional Swaybar | | 3: 2 x (2.0 m x Ø60 mm), 1 x (1.5 m x Ø60 mm) |
| Further Accessories | | SMA-SKO-UNIVERSAL-L : Universal sway bar fixation kit |

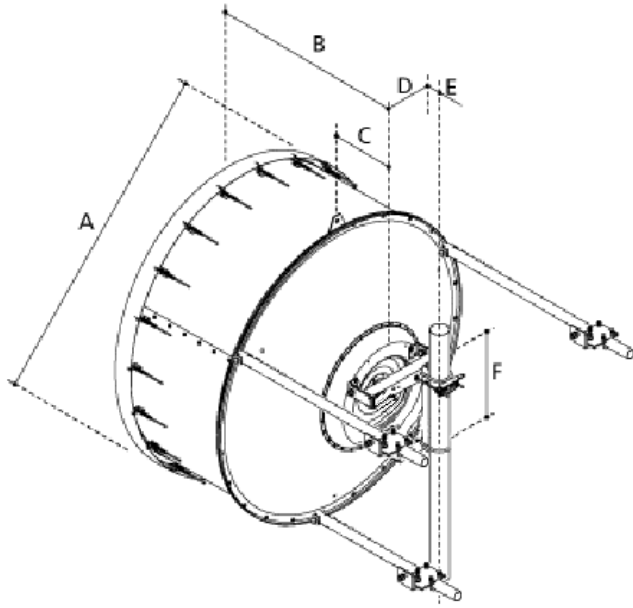
MOUNTOUTLINE

| | | |
|-----------------------------|---------|-------------|
| Dimension_A | mm (in) | 2000 (79) |
| Dimension_B | mm (in) | 1242 (48.9) |
| Dimension_C | mm (in) | 364 (14.3) |
| Dim_D- 114mm(4.5_in)Pipe | mm (in) | 175 (6.9) |
| Dimension_E | mm (in) | 283 (11.1) |
| Dimension_F | mm (in) | 590 (23.2) |



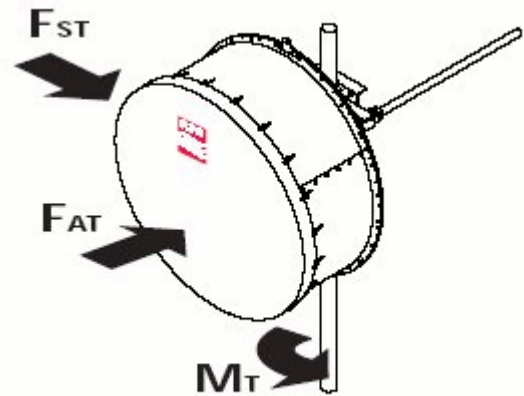
UXA6-107ACSQ1E

High Wind High Ice PrimeLine Antenna, Ultra High Performance,
High Cross Polar Discrimination, Dual Polarized, 6 ft



WINDLOAD

| | | |
|--|------------|--------------|
| Fa Axial force max. @ survival wind speed | N (lb) | 11719 (2625) |
| Fs Side force max. @ survival wind speed | N (lb) | 5805 (1300) |
| M Torque maximum @ survival wind speed Nm (ft lb) | Nm (lb ft) | 4430 (3281) |



External Document Links

- [Complete Antenna installation](#)
- [RPE \(IQ-Link format\)](#)
- [RPE \(PDF format\)](#)
- [RPE \(pathloss format\)](#)

Notes

listed wind speeds are on "ASD" level