



UXA6-127BD

PrimeLine Antenna, Ultra High Performance,
High Cross Polar Discrimination, Dual Polarized, 6 ft

RFS PrimeLine Antennas are designed for all microwave applications that require best RF performance, especially where interference could be an issue.

A choice between tested and validated ultra-high (ETSI EN 302 217 Class 3 and FCC Class A) electrical performance.

Sizes ranging from 0.6 m (2 ft) to 4.6 m (15 ft)

Dual-polarized models with the ability to change frequencies in the field in most cases

FEATURES / BENEFITS

- Extremely high XPD performance for complete isolation between the radions in each polarization
- Excellent radiation pattern envelope (RPE), particularly in cross-polar area
- Support for winds up to 200 km/h (125 mph) with high-wind versions that support winds up to 252 km/h (155 mph) and an optional sway bar for added assurance in case mistakes are made during installation
- A single-piece configuration and compact packaging to reduce transportation costs
- Frequencies ranging from 4 GHz to 23 GHz with support for one ultra wideband frequency range (5.725-7.125 GHz) to reduce antenna requirements and simplify logistics



Antenna

Technical features

GENERAL SPECIFICATIONS

| | | |
|---------------|--|---|
| Product Type | | Point to point antennas |
| Profile | | PrimeLine |
| Performance | | Ultra High, High Cross Polar Discrimination |
| Polarization | | Dual |
| Antenna Input | | PDR 120 |
| Reflector | | 1-part |
| Radome | | flexible |
| Antenna color | | White RAL 9010 |
| Swaybar | | 1: (2.0 m x Ø60 mm) |

ELECTRICAL SPECIFICATIONS

| | | |
|-----------------------|-----------|---|
| Frequency | GHz | 12.7 - 13.25 |
| 3dB beamwidth | degrees | 0.9 |
| Low Band Gain | dBi | 45 |
| Mid Band Gain | dBi | 45.1 |
| High Band Gain | dBi | 45.3 |
| F/B Ratio | dB | 73 |
| XPD | dB | 40 |
| IPI | dB | 45 |
| Max VSWR / R L | VSWR / dB | 1.1 (26.4) |
| Regulatory Compliance | | ETSI EN 302217 Range 1, class 3 FCC Category A |



UXA6-127BD

PrimeLine Antenna, Ultra High Performance,
High Cross Polar Discrimination, Dual Polarized, 6 ft

MECHANICAL SPECIFICATIONS

| | | |
|--------------------------------|------------|-----------|
| Diameter | ft (m) | 6 (1.8) |
| Elevation Adjustment | degrees | ± 5 |
| Azimuth Adjustment | degrees | ± 5 |
| Polarization Adjustment | degrees | ± 5 |
| Mounting Pipe Diameter minimum | mm (in) | 114 (4.5) |
| Mounting Pipe Diameter maximum | mm (in) | 114 (4.5) |
| Approximate Weight | kg (lb) | 110 (242) |
| Survival Windspeed | km/h (mph) | 200 (125) |
| Operational Windspeed | km/h (mph) | 190 (118) |

STRUCTURE

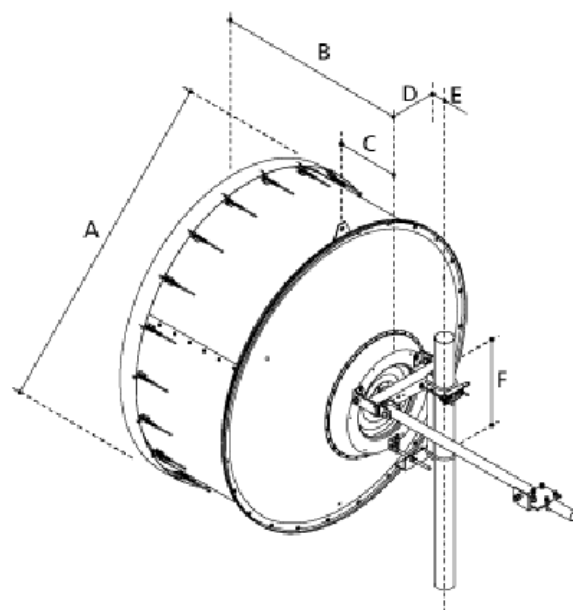
| | |
|-----------------|-------------------|
| Radome Material | PVC coated fabric |
|-----------------|-------------------|

FURTHER ACCESSORIES

| | |
|---------------------|---|
| optional Swaybar | 1: SMA-SK-60-2000A (2.0 m x Ø60mm) |
| Further Accessories | SMA-WK-6A : Wind Kit SMA-SKO-UNIVERSAL-L : Universal sway bar fixation kit |

MOUNTOUTLINE

| | | |
|-----------------------------|---------|-------------|
| Dimension_A | mm (in) | 2000 (79) |
| Dimension_B | mm (in) | 1242 (48.9) |
| Dimension_C | mm (in) | 364 (14.3) |
| Dim_D- 114mm(4.5_in)Pipe | mm (in) | 175 (6.9) |
| Dimension_E | mm (in) | 283 (11.1) |
| Dimension_F | mm (in) | 590 (23.2) |





UXA6-127BD

PrimeLine Antenna, Ultra High Performance,
High Cross Polar Discrimination, Dual Polarized, 6 ft

WINDLOAD

| | | |
|--|------------|-------------|
| Fa Axial force max. @ survival wind speed | N (lb) | 7500 (1680) |
| Fs Side force max. @ survival wind speed | N (lb) | 3715 (832) |
| M Torque maximum @ survival wind speed Nm (ft lb) | Nm (lb ft) | 2835 (2100) |



External Document Links

- [Complete Antenna installation](#)
- [RPE \(IQ-Link format\)](#)
- [RPE \(PDF format\)](#)
- [RPE \(Pathloss format\)](#)

Notes