



**UXA6-U57ACSQGE**

PrimeLine Antenna, Ultra High Performance,  
High Cross Polar Discrimination, Dual Polarized, 6 ft

RFS PrimeLine Antennas are designed for all microwave applications that require best RF performance, especially where interference could be an issue.

A choice between tested and validated ultra-high (ETSI EN 302 217 Class 3 and FCC Class A) electrical performance.

Sizes ranging from 0.6 m (2 ft) to 4.6 m (15 ft)

Dual-polarized models with the ability to change frequencies in the field in most cases

**FEATURES / BENEFITS**

- Extremely high XPD performance for complete isolation between the radions in each polarization
- Excellent radiation pattern envelope (RPE), particularly in cross-polar area
- Support for winds up to 200 km/h (125 mph) with high-wind versions that support winds up to 252 km/h (155 mph) and an optional sway bar for added assurance in case mistakes are made during installation
- A single-piece configuration and compact packaging to reduce transportation costs
- Frequencies ranging from 4 GHz to 23 GHz with support for one ultra wideband frequency range (5.725-7.125 GHz) to reduce antenna requirements and simplify logistics

The design of the model number UXA6-U57ACSQGE (HIGH WIND & HIGH ICE CONFIGURATION)

features :

- a reinforced mounting structure
- 3 sway bars, strategically located
- a PVC coated radome optimized for areas with high wind and snow appearance
- antenna and radome in gray color

This specific design allow the antenna to survive in High Wind and High Ice climate and withstand :

- a 250km/h (155mph) survival wind speed with 25mm (1 inch) of radial ice
- a 225km/h (140mph) survival wind speed with 55mm (2 inches) of radial ice



Antenna with snowradome

**Technical features**

**GENERAL SPECIFICATIONS**

<b>Product Type</b>		Point to point antennas
<b>Profile</b>		PrimeLine
<b>Performance</b>		Ultra High, High Cross Polar Discrimination
<b>Polarization</b>		Dual
<b>Antenna Input</b>		CPR137G
<b>Reflector</b>		1-part
<b>Radome</b>		flexible
<b>Antenna color</b>		Gray RAL 7000
<b>Swaybar</b>		3: 2 x (2.0 m x Ø60 mm), 1 x (1.5 m x Ø60 mm)



**UXA6-U57ACSQGE**

PrimeLine Antenna, Ultra High Performance,  
High Cross Polar Discrimination, Dual Polarized, 6 ft

**ELECTRICAL SPECIFICATIONS**

Frequency	GHz	5.725 - 7.125
3dB beamwidth	degrees	1.7
Low Band Gain	dBi	38.1
Mid Band Gain	dBi	39
High Band Gain	dBi	40
F/B Ratio	dB	69
XPD	dB	40
IPI	dB	45
Max VSWR / R L	VSWR / dB	1.12 (25) @ 5.925 - 7.125 GHz 1.5 (14) @ 5.725 - 5.85 GHz
Regulatory Compliance		ETSI EN 302217 Range 1, class 3 FCC Category A

**MECHANICAL SPECIFICATIONS**

Diameter	ft (m)	6 (1.8)
Elevation Adjustment	degrees	± 5
Azimuth Adjustment	degrees	± 5
Polarization Adjustment	degrees	± 5
Mounting Pipe Diameter minimum	mm (in)	114 (4.5)
Mounting Pipe Diameter maximum	mm (in)	114 (4.5)
Approximate Weight	kg (lb)	110 (242)
Survival Windspeed	km/h (mph)	252 (155)
Operational Windspeed	km/h (mph)	190 (118)

**STRUCTURE**

Radome Material		PVC coated fabric
-----------------	--	-------------------

**FURTHER ACCESSORIES**

optional Swaybar		3: 2 x (2.0 m x Ø60 mm), 1 x (1.5 m x Ø60 mm)
Further Accessories		SMA-SKO-UNIVERSAL-L : Universal sway bar fixation kit

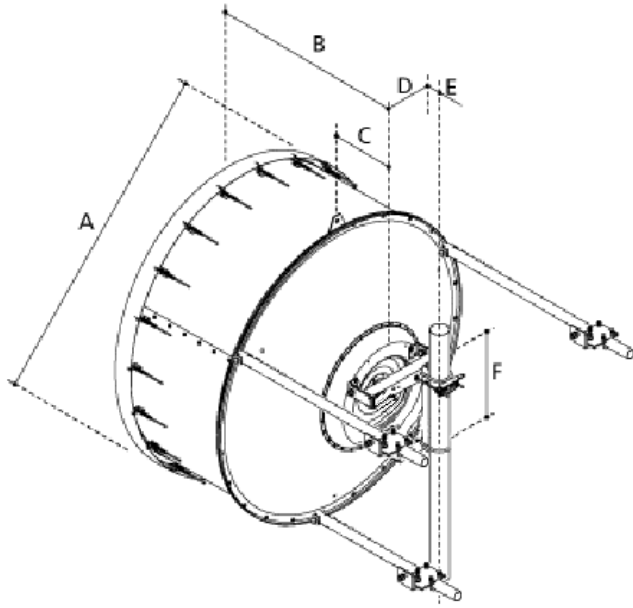
**MOUNTOUTLINE**

Dimension_A	mm (in)	2000 (79)
Dimension_B	mm (in)	1242 (48.9)
Dimension_C	mm (in)	364 (14.3)
Dim_D- 114mm(4.5_in)Pipe	mm (in)	175 (6.9)
Dimension_E	mm (in)	283 (11.1)
Dimension_F	mm (in)	590 (23.2)



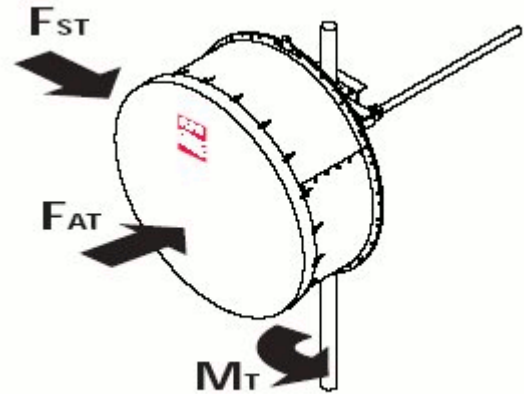
**UXA6-U57ACSQGE**

PrimeLine Antenna, Ultra High Performance,  
High Cross Polar Discrimination, Dual Polarized, 6 ft



**WINDLOAD**

<b>Fa Axial force max. @ survival wind speed</b>	N (lb)	11719 (2625)
<b>Fs Side force max. @ survival wind speed</b>	N (lb)	5805 (1300)
<b>M Torque maximum @ survival wind speed Nm (ft lb)</b>	Nm (lb ft)	4430 (3281)



**External Document Links**

- [Complete Antenna installation](#)
- [RPE \(IQ-Link format\)](#)
- [RPE \(PDF format\)](#)
- [RPE \(Pathloss format\)](#)

**Notes**

listed wind speeds are on "ASD" level