



OMNI FIT™ high performance connectors are designed for use with both CELLFLEX® (copper) and CELLFLEX® Lite (aluminum) cables. They are designed specifically to provide the highest quality connector - cable interface while simplifying and speeding up connector attachment. The 4.3-10 connector is an innovative, space-saving RF connection meeting all requirements even under the most severe environmental conditions and not relying on coupling nut torque to meet PIM performance.

Push-Pull lock and unlock attachment mechanism that is ideal for the smallest installation spaces.

**FEATURES / BENEFITS**

- Cost effective two-piece design for safe and easy installation
- Compatible with copper and aluminium cable types i.e. one connector for both outer conductor materials eliminates the risk of faulty connector installation and helps to keep inventory down
- Robust mechanical design for low and consistent intermodulation performance i.e. keeps the mobile network performance up reduces the number of dropped calls and avoids revenue losses
- Superior electrical performance for consistent and repeatable VSWR i.e. ensure network system performance
- Waterproof to IP 68 i.e. no downtime risk, secures revenue
- RoHS (EU) and CRoHS (China) compliant i.e. can be used on a global basis
- Push-Pull Type connector possesses special mechanical design to support quickest lock & unlock feature within the most confined smallest installation space where only accommodates one of the hands



43MP-LCF78-C03

**Technical features**

**GENERAL SPECIFICATIONS**

|                        |  |                    |                 |
|------------------------|--|--------------------|-----------------|
| Transmission Line Type |  | Coaxial Cable      |                 |
| Cable Size             |  | 7/8                |                 |
| Cable Type             |  | Foam Dielectric    |                 |
| Model Series           |  | LCF78-50 Series    | RCF78-50 Series |
| Connector Interface    |  | 4.3-10 Push-Pull   |                 |
| Connector Type         |  | OMNI FIT™ Standard |                 |
| Sealing Method         |  | O-ring             |                 |
| Gender                 |  | Male               |                 |

**ELECTRICAL SPECIFICATIONS**

|                                   |           |   |  |
|-----------------------------------|-----------|---|--|
| Nominal Impedance, ohms           | Ohm       | 50  |  |
| 3rd Order IM Product @ 2x20 Watts | dBc       | -162 ; typical -166   |  |
| Maximum Frequency                 | GHz       | 6.0   |  |
| VSWR, Return Loss                 | VSWR (dB) | 0 <math>\leq f \leq 1.0 \text{ GHz}</math>: 1.03 (36.6)<br>1.0 <math>\leq f \leq 2.7 \text{ GHz}</math>: 1.04 (34.1)<br>2.7 <math>\leq f \leq 3.7 \text{ GHz}</math>: 1.08 (28.3)<br>3.7 <math>\leq f \leq 5.0 \text{ GHz}</math>: 1.10 (26.4)<br>5.0 <math>\leq f \leq 6.0 \text{ GHz}</math>: 1.25 (19.1) |  |



**MECHANICAL SPECIFICATIONS**

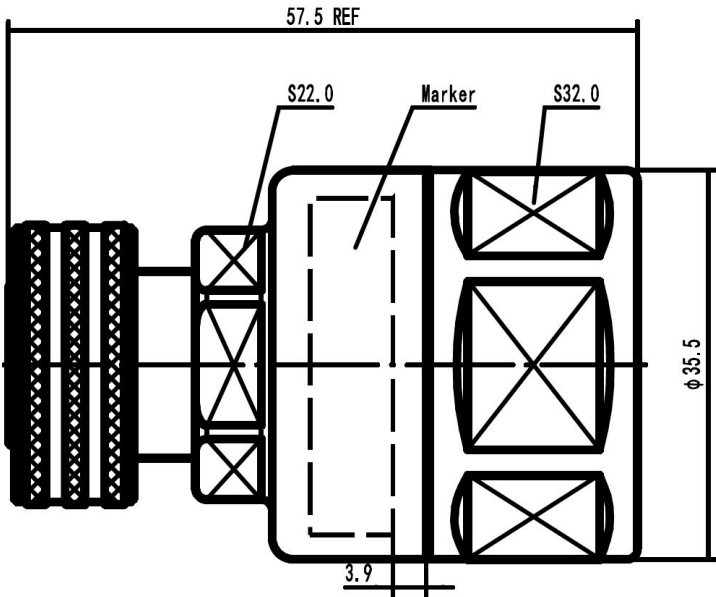
|                          |         |                 |
|--------------------------|---------|-----------------|
| Plating Outer/Inner      |         | Trimetal/Silver |
| Length                   | mm (in) | 57.5 (2.26)     |
| Outer Diameter           | mm (in) | 35.5 (1.4)      |
| Inner Contact Attachment |         | Spring Finger   |
| Outer Contact Attachment |         | Spring C-Ring   |

**ACCESSORIES**

|                   |         |                  |
|-------------------|---------|------------------|
| Wrench size front | mm (in) | 22 (0.87)        |
| Wrench size rear  | mm (in) | 32 (1.26)        |
| Trimming Tool     |         | TRIM-SET-L78-C02 |

**TESTING AND ENVIRONMENTAL**

|                  |  |      |
|------------------|--|------|
| Waterproof Level |  | IP68 |
|------------------|--|------|



43MP-LCF78-C03 Outline drawing

[External Document Links](#)

[Installation Instruction](#)

[Notes](#)