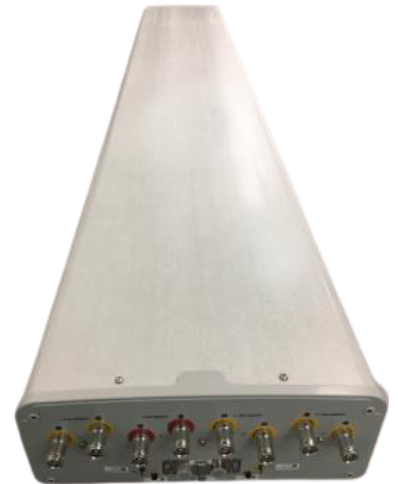




FEATURES / BENEFITS

- 2 ports / 1 cross pol systems in low band (690-960 MHz)
- 6 ports / 3 cross pol systems in high band (1695-2690 MHz)
- Integrated and field replaceable SRET
- ACU HW Version -HRLS200608H1.00
- Compliant with AISG V2.0 and 3GPP



Technical features

ELECTRICAL SPECIFICATIONS

Electrical Specification Header		LOW BAND ARRAY (690-960 MHz) [R1]		
Frequency Band	MHz	690-806	790-894	880-960
Gain Typical	dBi	16.1	16	15.7
Gain Over all Tilts	dBi	15.6 +/- 0.5	15.5 +/- 0.5	15.1 +/- 0.6
Azimuth Beamwidth 3dB	Deg	66.1 +/- 2.3	63.3 +/- 1.5	62.5 +/- 2.4
Elevation Beamwidth 3dB	Deg	12 +/- 1.1	11 +/- 0.8	10.2 +/- 0.8
Cross Polar Discrimination at Boresight	dB	21.9	22.7	23.1
Cross Polar Discrimination over Sector	dB	7.5	7.1	5.7
F/B at +/-30deg Total Power	dB	21.3	21.5	22.3
First Upper Side Lobe Suppression	dB	17.5	17.1	16.8
Electrical Downtilt	Deg	2 to 12		
Cross Polar Isolation	dB	28		
Interband Isolation	dB	28		
VSWR	-	1.5		
Passive Intermodulation (3rd Order, 2 x 43dBm)	dBc	-153		
Maximum Effective Power per Port	Watt	250		



ELECTRICAL SPECIFICATIONS

Electrical Specification Header		HIGH BAND ARRAY (1695-2690 MHZ) [Y1]				
Frequency Band	MHz	1695 - 1880	1850 - 1990	1920 - 2170	2300 - 2400	2490 - 2690
Gain Typical	dBi	18.8	18.9	19.5	19.9	19.8
Gain Over all Tilts	dBi	18.4 +/- 0.4	18.7 +/- 0.2	19 +/- 0.5	19.4 +/- 0.5	19.3 +/- 0.5
Azimuth Beamwidth 3dB	Deg	65.9 +/- 2.5	64.7 +/- 1.4	62.6 +/- 3.5	53.1 +/- 2.4	52.7 +/- 2.7
Elevation Beamwidth 3dB	Deg	5.4 +/- 0.3	5 +/- 0.2	4.7 +/- 0.4	4.1 +/- 0.1	3.8 +/- 0.2
Cross Polar Discrimination at Boresight	dB	28.1	23	23	24.8	28.3
Cross Polar Discrimination over Sector	dB	10.3	10.1	10.6	9.4	4.1
F/B at +/-30deg Total Power	dB	26.5	27.9	28.1	26.7	24.6
First Upper Side Lobe Suppression	dB	15.7	17.4	17.2	19.9	17
Electrical Downtilt	Deg	2 to 10				
Cross Polar Isolation	dB	28				
Interband Isolation	dB	28				
VSWR	-	1.5				
Passive Intermodulation (3rd Order, 2 x 43dBm)	dBc	-153				
Maximum Effective Power per Port	Watt	250				

ELECTRICAL SPECIFICATIONS

Electrical Specification Header		HIGH BAND ARRAY (1695-2690 MHZ) [Y2]				
Frequency Band	MHz	1695 - 1880	1850 - 1990	1920 - 2170	2300 - 2400	2490 - 2690
Gain Typical	dBi	17.7	18	18.7	18.5	18.5
Gain Over all Tilts	dBi	17.4 +/- 0.3	17.7 +/- 0.3	18.1 +/- 0.6	17.9 +/- 0.6	17.9 +/- 0.6
Azimuth Beamwidth 3dB	Deg	66.9 +/- 2.2	63.8 +/- 3.6	61.8 +/- 4.1	57.5 +/- 1.7	57.7 +/- 5.3
Elevation Beamwidth 3dB	Deg	5.3 +/- 0.3	4.9 +/- 0.2	4.6 +/- 0.3	4.1 +/- 0.2	3.9 +/- 0.2
Cross Polar Discrimination at Boresight	dB	22.1	21	20.5	19.3	23.6
Cross Polar Discrimination over Sector	dB	8.9	7.8	7.7	3.7	3.4
F/B at +/-30deg Total Power	dB	25.2	26.2	27.2	26.1	26
First Upper Side Lobe Suppression	dB	19.5	19.8	20.1	17.3	15.4
Electrical Downtilt	Deg	2 to 10				
Cross Polar Isolation	dB	28				
Interband Isolation	dB	28				
VSWR	-	1.5				
Passive Intermodulation (3rd Order, 2 x 43dBm)	dBc	-153				
Maximum Effective Power per Port	Watt	250				

**ELECTRICAL SPECIFICATIONS**

Electrical Specification Header		HIGH BAND ARRAY (1695-2690 MHZ) [Y3]				
Frequency Band	MHz	1695 - 1880	1850 - 1990	1920 - 2170	2300 - 2400	2490 - 2690
Gain Typical	dBi	18.8	18.9	19.5	19.8	19.8
Gain Over all Tilts	dBi	18.4 +/- 0.4	18.7 +/- 0.2	19 +/- 0.5	19.4 +/- 0.4	19.3 +/- 0.5
Azimuth Beamwidth 3dB	Deg	66.2 +/- 2.3	64 +/- 1.7	62.5 +/- 2.7	53.2 +/- 3.1	53.7 +/- 3
Elevation Beamwidth 3dB	Deg	5.4 +/- 0.3	5 +/- 0.2	4.7 +/- 0.4	4.1 +/- 0.1	3.8 +/- 0.2
Cross Polar Discrimination at Boresight	dB	27	25.3	24.9	24.9	26.1
Cross Polar Discrimination over Sector	dB	9.3	8.3	9.2	10.2	6.1
F/B at +/-30deg Total Power	dB	24.4	28.1	28.1	25.8	23.3
First Upper Side Lobe Suppression	dB	15.8	17.3	17.8	21.7	15.9
Electrical Downtilt	Deg	2 to 10				
Cross Polar Isolation	dB	28				
Interband Isolation	dB	28				
VSWR	-	1.5				
Passive Intermodulation (3rd Order, 2 x 43dBm)	dBc	-153				
Maximum Effective Power per Port	Watt	250				

ELECTRICAL SPECIFICATIONS

Impedance	Ohm	50
Polarization	Deg	±45°

MECHANICAL SPECIFICATIONS

Dimensions - H x W x D	mm (in)	1798 x 398 x 158 (70.8 x 15.7 x 6.2)
Weight (Antenna Only)	kg (lb)	26.5 (58.4)
Weight (Mounting Hardware only)	kg (lb)	5.5 (12.1)
Packing size- HxWxD	mm (in)	1998 x 493 x 278 (78.7 x 19.4 x 10.9)
Shipping Weight	kg (lb)	36.5 (80.5)
Connector type		8 x 4.3-10 female/bottom + 2 AISG connectors (1 male, 1 female)
Radome Material / Color		Fiberglass / Light Gray

TESTING AND ENVIRONMENTAL

Temperature Range	°C (°F)	-40 to 60 (-40 to 140)
Lightning protection		DC Ground
Survival/Rated Wind Velocity	km/h	200 (150)
Wind Load @Rated Wind Front	N	660
Wind Load @Rated Wind Side	N	320
Wind Load @Rated Wind Rear	N	735

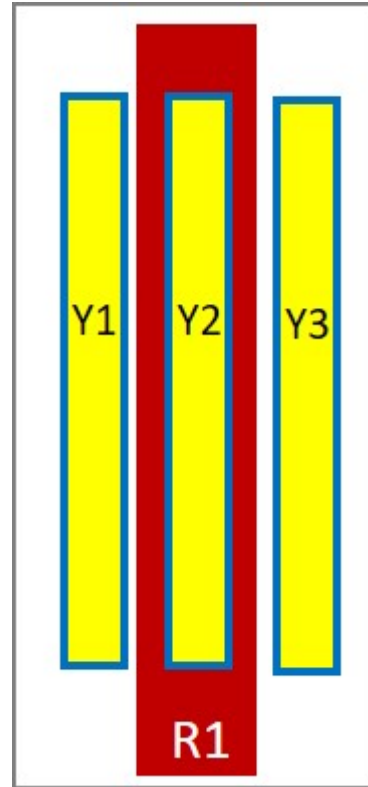
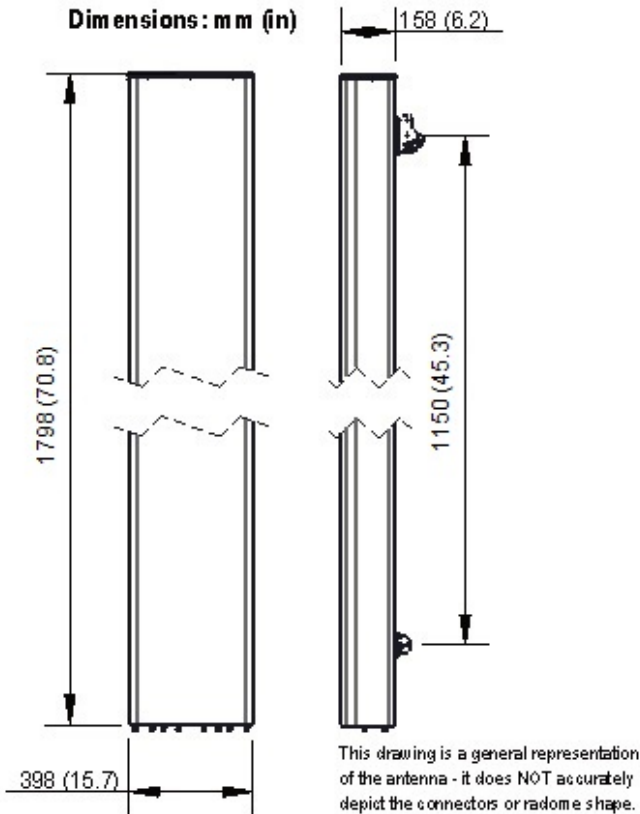
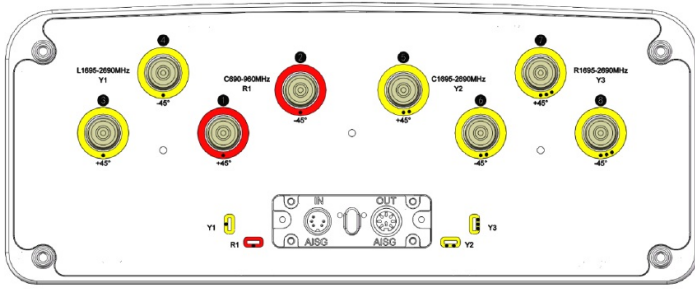
ORDERING INFORMATION

Order No.	Configuration	Mounting Hardware	Mounting pipe Diameter	Shipping Weight
APXVB3L18B2_43-C-I20	Internal RET (ACU-I20-H12I)	APM50-H2	50-125 mm	36.5 Kg



APXVB3L18B2_43-C-I20

8-Ports, X-Pol, Panel Antenna, 1.8m, 1x 690-960/3x 1695-2690MHz, 65deg, Integrated RET



External Document Links

[APM50_Series_Installation_Instructions](#)

Notes

- All electrical parameters are compliant with BASTA NGMN 11.1 requirements.
- For additional mounting information please click "External Document Links".
- **Radiating patterns:** [Request pattern files](#)