



FEATURES / BENEFITS

- 2 ports / 1 system in low band
- 2 ports / 1 system in high band
- SRET -Field replaceable / ACU HW Version -2.02
- Compliant with AISG V2.0 and 3GPP



Technical features

ELECTRICAL SPECIFICATIONS

Electrical Specification Header		LOW BAND ARRAY (698-960 MHz) [R1]		
Frequency Band	MHz	698 - 806	790 - 896	880 - 960
Gain Typical	dBi	14.3	14.9	15.3
Gain Over all Tilts	dBi	13.8 +/- 0.5	14.4 +/- 0.5	14.8 +/- 0.5
Azimuth Beamwidth 3dB	Deg	67.8 +/- 2.0	65.4 +/- 1.5	64.9 +/- 1.0
Elevation Beamwidth 3dB	Deg	17.8 +/- 1.9	15.7 +/- 1	14.6 +/- 0.5
Cross Polar Discrimination at Boresight	dB	22.6	22.1	21.0
Cross Polar Discrimination over Sector	dB	11.0	8.8	10.0
F/B at +/-30deg Total Power	dB	25.0	24.0	23.0
First Upper Side Lobe Suppression	dB	19.8	18.0	15.0
Electrical Downtilt	Deg	2 to 15		
Cross Polar Isolation	dB	26		
Interband Isolation	dB	26		
VSWR	-	1.5		
Passive Intermodulation (3rd Order, 2 x 43dBm)	dBc	-153		
Maximum Effective Power per Port	Watt	350		



ELECTRICAL SPECIFICATIONS

Electrical Specification Header		HIGH BAND ARRAY (1710-2690 MHZ) [Y1]				
Frequency Band	MHz	1710 - 1880	1850 - 1990	1920 - 2200	2300 - 2400	2500 - 2690
Gain Typical	dBi	16.7	16.7	17.1	16.8	17.2
Gain Over all Tilts	dBi	15.7 +/- 1.0	16.1 +/- 0.6	16.6 +/- 0.5	15.9 +/- 0.9	16.5 +/- 0.7
Azimuth Beamwidth 3dB	Deg	63.3 +/- 5.6	67.8 +/- 3.3	64.5 +/- 8.9	68.3 +/- 4.7	61.4 +/- 3.5
Elevation Beamwidth 3dB	Deg	7.3 +/- 0.5	6.7 +/- 0.7	6.2 +/- 0.5	5.7 +/- 0.7	5.2 +/- 0.5
Cross Polar Discrimination at Boresight	dB	19.7	21.2	21.0	14.2	18.8
Cross Polar Discrimination over Sector	dB	9.2	9.8	8.3	7.5	5.0
F/B at +/-30deg Total Power	dB	19.9	20.5	22.0	23.6	20.7
First Upper Side Lobe Suppression	dB	16.6	18.0	17.0	15.2	13.1
Electrical Downtilt	Deg	2 to 11				
Cross Polar Isolation	dB	26				
Interband Isolation	dB	26				
VSWR	-	1.5				
Passive Intermodulation (3rd Order, 2 x 43dBm)	dBc	-153				
Maximum Effective Power per Port	Watt	250				

ELECTRICAL SPECIFICATIONS

Impedance	Ohm	50
Polarization	Deg	±45°

MECHANICAL SPECIFICATIONS

Dimensions - H x W x D	mm (in)	1500 x 350 x 200 (59.1 x 13.8 x 7.9)
Weight (Antenna Only)	kg (lb)	16.2 (35.7)
Packing size- HxWxD	mm (in)	1750 x 445 x 295 (68.9 x 17.5 x 11.6)
Shipping Weight	kg (lb)	26.7 (58.9)
Connector type		4 x 4.3-10 female/bottom + 2 AISG connectors (1 male, 1 female)
Radome Material / Color		Fiberglass / Light Gray

TESTING AND ENVIRONMENTAL

Temperature Range	°C (°F)	-40 to 60 (-40 to 140)
Lightning protection		DC Ground
Survival/Rated Wind Velocity	km/h	220 (160)
Wind Load @Rated Wind Front	N	683
Wind Load @Rated Wind Side	N	331
Wind Load @Rated Wind Rear	N	789

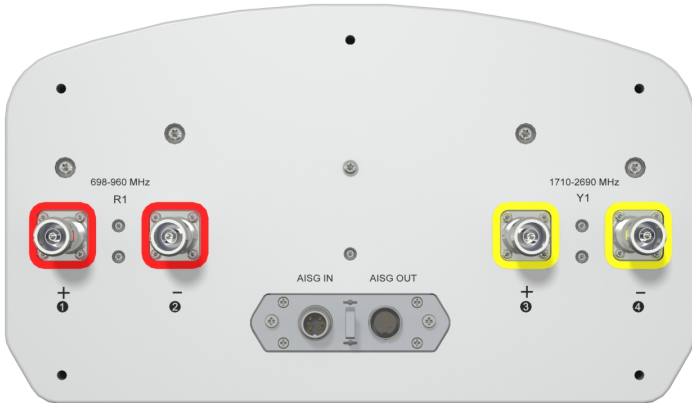
ORDERING INFORMATION

Order No.	Configuration	Mounting Hardware	Mounting pipe Diameter	Shipping Weight
APXVBL15B_43-C-I20	Internal RET(ACU-I20-B2)	APM50-B1	50-110 mm	26.7 Kg

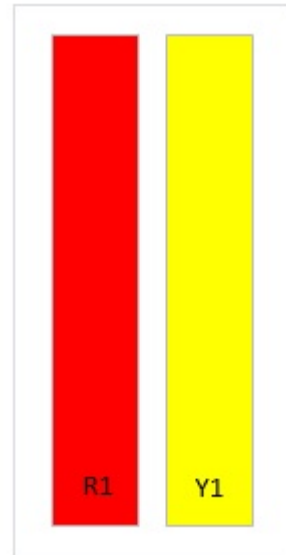
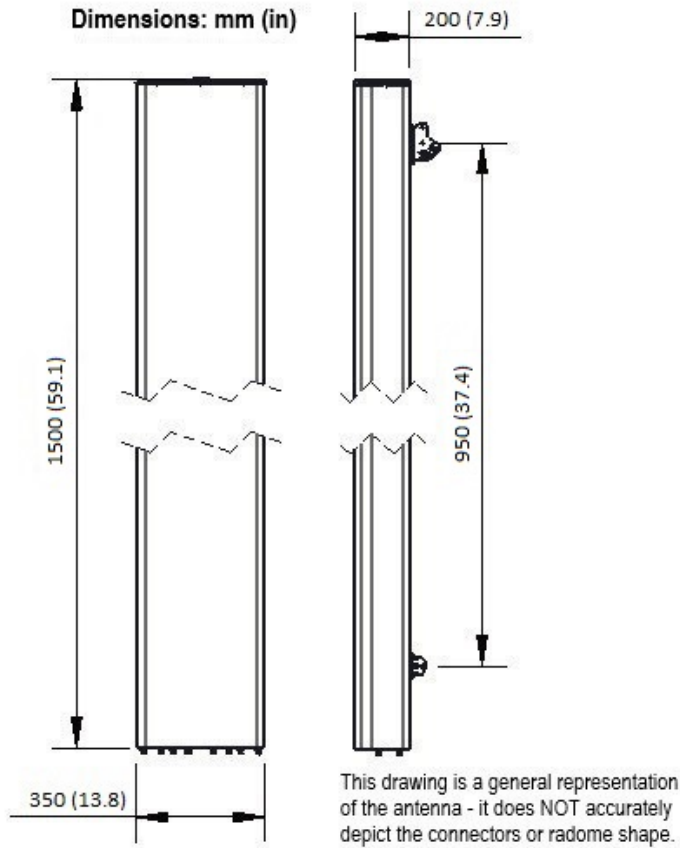


APXVBL15B_43-C-I20

4-Ports, X-Pol, Panel Antenna, 1x698-960/1x1710-2690MHz, 65deg, Integrated RET



Dimensions: mm (in)



External Document Links

[APM50_Series_Installation_Instructions](#)

Notes

- All electrical parameters are compliant with BASTA NGMN 11.1 requirements.
- For additional mounting information please click ""External Document Links"".
- **Radiating patterns:** [Request pattern files](#)