



APXVBLL18B2_43-C-I20

6-Ports, X-Pol, Panel Antenna, 1.8m, 1x 690-960/2x 1695-2690MHz, 65deg, Integrated RET

FEATURES / BENEFITS

- 2 ports / 1 cross pol system in low band (690-960 MHz)
- 4 ports / 2 cross pol systems in high band (1695-2690 MHz)
- Integrated and field replaceable SRET
- ACU HW Version -HRLS200608H1.00
- Compliant with AISG V2.0 and 3GPP



Technical features

ELECTRICAL SPECIFICATIONS

Electrical Specification Header		LOW BAND ARRAY (690-960 MHz) [R1]		
Frequency Band	MHz	690-806	790-894	880-960
Gain Typical	dBi	16.2	16.2	16.4
Gain Over all Tilts	dBi	15.7 +/- 0.5	16 +/- 0.2	16.1 +/- 0.3
Azimuth Beamwidth 3dB	Deg	67.7 +/- 2.1	64.9 +/- 1.9	62.1 +/- 1.5
Elevation Beamwidth 3dB	Deg	12 +/- 1.1	10.7 +/- 0.6	10 +/- 0.7
Cross Polar Discrimination at Boresight	dB	26.8	30.4	25.3
Cross Polar Discrimination over Sector	dB	10.2	8.9	7.3
F/B at +/-30deg Total Power	dB	24.9	25.1	24.6
First Upper Side Lobe Suppression	dB	18.3	19.4	17.6
Electrical Downtilt	Deg	2 to 12		
Cross Polar Isolation	dB	28		
Interband Isolation	dB	28		
VSWR	-	1.5		
Passive Intermodulation (3rd Order, 2 x 43dBm)	dBc	-153		
Maximum Effective Power per Port	Watt	250		



ELECTRICAL SPECIFICATIONS

Electrical Specification Header		HIGH BAND ARRAY (1695-2690 MHZ) [Y1]				
Frequency Band	MHz	1695-1880	1850-1990	1920-2170	2300-2400	2490-2690
Gain Typical	dBi	18.6	19.1	19.3	19.1	19.5
Gain Over all Tilts	dBi	18.3 +/- 0.3	18.8 +/- 0.3	19 +/- 0.3	18.7 +/- 0.4	19 +/- 0.5
Azimuth Beamwidth 3dB	Deg	68.8 +/- 7.4	61.5 +/- 6	63.5 +/- 5.6	66.6 +/- 2.1	64.7 +/- 2.9
Elevation Beamwidth 3dB	Deg	5.3 +/- 0.3	5 +/- 0.3	4.7 +/- 0.4	4.1 +/- 0.2	3.9 +/- 0.2
Cross Polar Discrimination at Boresight	dB	25.4	24.8	24.2	27.5	28.9
Cross Polar Discrimination over Sector	dB	9.8	8.8	8.8	9.3	1.9
F/B at +/-30deg Total Power	dB	21.9	28	27	23.2	20.9
First Upper Side Lobe Suppression	dB	20.2	19.7	19.9	18.3	17.6
Electrical Downtilt	Deg	2 to 10				
Cross Polar Isolation	dB	28				
Interband Isolation	dB	28				
VSWR	-	1.5				
Passive Intermodulation (3rd Order, 2 x 43dBm)	dBc	-153				
Maximum Effective Power per Port	Watt	250				

ELECTRICAL SPECIFICATIONS

Electrical Specification Header		HIGH BAND ARRAY (1695-2690 MHZ) [Y2]				
Frequency Band	MHz	1695-1880	1850-1990	1920-2170	2300-2400	2490-2690
Gain Typical	dBi	18.6	19.2	19.3	19.1	19.2
Gain Over all Tilts	dBi	18.2 +/- 0.4	18.7 +/- 0.5	18.9 +/- 0.4	18.6 +/- 0.5	18.7 +/- 0.5
Azimuth Beamwidth 3dB	Deg	68.8 +/- 7	60.9 +/- 5.7	62.9 +/- 5.5	66.1 +/- 2.1	64.7 +/- 2.6
Elevation Beamwidth 3dB	Deg	5.3 +/- 0.3	5 +/- 0.3	4.7 +/- 0.4	4.2 +/- 0.2	3.9 +/- 0.2
Cross Polar Discrimination at Boresight	dB	26.4	26.9	26.5	26.3	26.4
Cross Polar Discrimination over Sector	dB	8.8	7.3	8.1	8.7	2
F/B at +/-30deg Total Power	dB	21.5	26.4	26.5	23.1	20.5
First Upper Side Lobe Suppression	dB	20.8	19.1	19.2	15.8	15.7
Electrical Downtilt	Deg	2 to 10				
Cross Polar Isolation	dB	28				
Interband Isolation	dB	28				
VSWR	-	1.5				
Passive Intermodulation (3rd Order, 2 x 43dBm)	dBc	-153				
Maximum Effective Power per Port	Watt	250				



APXVBLL18B2_43-C-I20

6-Ports, X-Pol, Panel Antenna, 1.8m, 1x 690-960/2x 1695-2690MHz, 65deg, Integrated RET

ELECTRICAL SPECIFICATIONS

Impedance	Ohm	50
Polarization	Deg	±45°

MECHANICAL SPECIFICATIONS

Dimensions - H x W x D	mm (in)	1798 x 378 x 158 (70.8 x 14.9 x 6.2)
Weight (Antenna Only)	kg (lb)	23.5 (51.8)
Weight (Mounting Hardware only)	kg (lb)	4 (8.8)
Packing size- HxWxD	mm (in)	1978 x 473 x 278 (77.9 x 18.6 x 10.9)
Shipping Weight	kg (lb)	32.6 (71.9)
Connector type		6 x 4.3-10 female/bottom + 2 AISG connectors (1 male, 1 female)
Radome Material / Color		Fiberglass / Light Gray

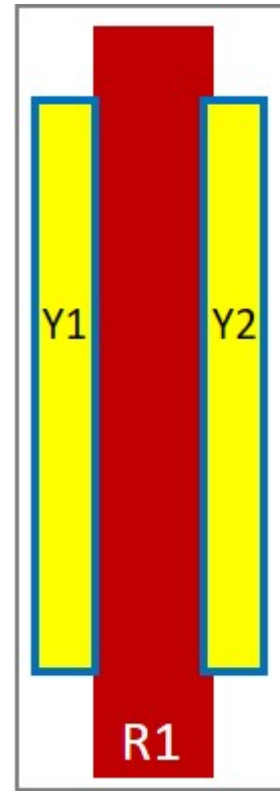
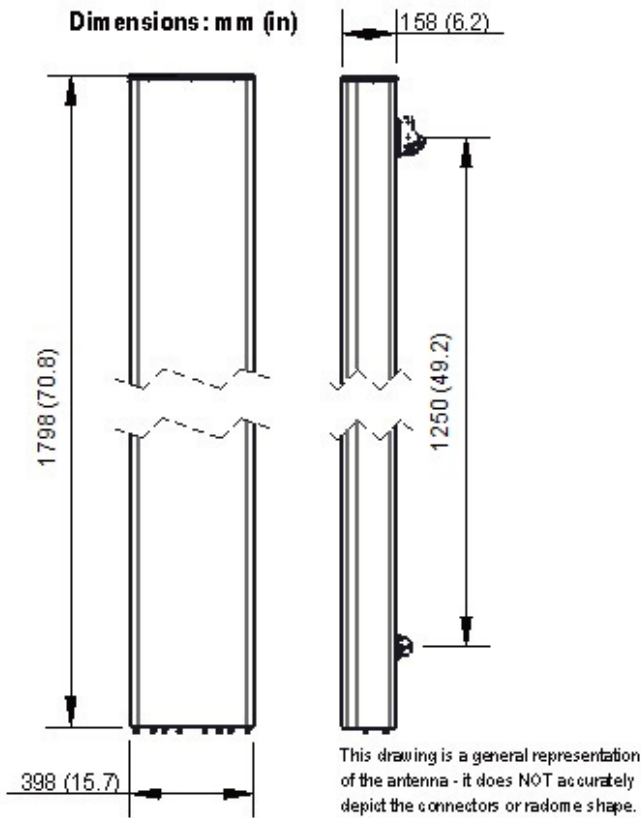
TESTING AND ENVIRONMENTAL

Temperature Range	°C (°F)	-40 to 60 (-40 to 140)
Lightning protection		DC Ground
Survival/Rated Wind Velocity	km/h	200 (150)
Wind Load @Rated Wind Front	N	625
Wind Load @Rated Wind Side	N	320
Wind Load @Rated Wind Rear	N	700

ORDERING INFORMATION

Order No.	Configuration	Mounting Hardware	Mounting pipe Diameter	Shipping Weight
APXVBLL18B2_43-C-I20	Internal RET (ACU-I20-H12I)	APM50-H1	50-125 mm	32.6 Kg





External Document Links

[APM50_Series_Installation_Instructions](#)

Notes

- All electrical parameters are compliant with BASTA NGMN 11.1 requirements.
- For additional mounting information please click "External Document Links".
- **Radiating patterns:** [Request pattern files](#)