



**FEATURES / BENEFITS**

- 2 ports / 1 cross pol system in low band (690-960MHz)
- 4 ports / 2 cross pol systems in high band (1695-2690MHz)
- Integrated and field replaceable SRET
- ACU HW Version: HRLS200608H1.00
- Compliant with AISG V2.0 and 3GPP



**Technical features**

**ELECTRICAL SPECIFICATIONS**

| Electrical Specification Header                |      | LOW BAND ARRAY (690-960 MHz) [R1] |             |              |
|--|------|-----------------------------------|-------------|--------------|
| Frequency Band                                 | MHz  | 690 - 806                         | 790 - 894   | 880 - 960    |
| Gain Typical                                   | dBi  | 17                                | 17.4        | 17.7         |
| Gain Over all Tilts                            | dBi  | 16.3 +/- 0.7                      | 17 +/- 0.4  | 17.4 +/- 0.3 |
| Azimuth Beamwidth 3dB                          | Deg  | 66.2 +/- 1.5                      | 64.7 +/- 1  | 61.4 +/- 2.5 |
| Elevation Beamwidth 3dB                        | Deg  | 8.5 +/- 0.5                       | 7.7 +/- 0.5 | 7 +/- 0.4    |
| Cross Polar Discrimination at Boresight        | dB   | 28.6                              | 27.4        | 25.4         |
| Cross Polar Discrimination over Sector         | dB   | 8.8                               | 9.4         | 6.7          |
| F/B at +/-30deg Total Power                    | dB   | 23.9                              | 24.2        | 25.3         |
| First Upper Side Lobe Suppression              | dB   | 16.2                              | 16.2        | 16.5         |
| Electrical Downtilt                            | Deg  | 2 to 12                           |             |              |
| Cross Polar Isolation                          | dB   | 28                                |             |              |
| Interband Isolation                            | dB   | 28                                |             |              |
| VSWR   | -    | 1.5                               |             |              |
| Passive Intermodulation (3rd Order, 2 x 43dBm) | dBc  | -153                              |             |              |
| Maximum Effective Power per Port               | Watt | 250                               |             |              |



**ELECTRICAL SPECIFICATIONS**

| Electrical Specification Header                |      | HIGH BAND ARRAY (1695-2690 MHZ) [Y1] |              |              |              |              |
|--|------|--------------------------------------|--------------|--------------|--------------|--------------|
| Frequency Band                                 | MHz  | 1695 - 1880                          | 1850 - 1990  | 1920 - 2170  | 2300 - 2400  | 2490 - 2690  |
| Gain Typical                                   | dBi  | 17.4                                 | 18.1         | 18.2         | 18.1         | 18.5         |
| Gain Over all Tilts                            | dBi  | 16.9 +/- 0.5                         | 17.7 +/- 0.4 | 17.8 +/- 0.4 | 17.8 +/- 0.3 | 18.1 +/- 0.4 |
| Azimuth Beamwidth 3dB                          | Deg  | 70.7 +/- 7.5                         | 63.3 +/- 5.6 | 64.1 +/- 4.8 | 64.7 +/- 2.9 | 63.9 +/- 1.9 |
| Elevation Beamwidth 3dB                        | Deg  | 5.3 +/- 0.3                          | 5 +/- 0.3    | 4.7 +/- 0.4  | 4 +/- 0.2    | 3.8 +/- 0.2  |
| Cross Polar Discrimination at Boresight        | dB   | 23.9                                 | 24           | 21.3         | 25.7         | 28.2         |
| Cross Polar Discrimination over Sector         | dB   | 8.6                                  | 7.5          | 8.1          | 6.8          | 1.6          |
| F/B at +/-30deg Total Power                    | dB   | 22                                   | 26.8         | 27           | 25.1         | 19.5         |
| First Upper Side Lobe Suppression              | dB   | 13.9                                 | 13.5         | 13.6         | 14.4         | 18.6         |
| Electrical Downtilt                            | Deg  | 2 to 10                              |              |              |              |              |
| Cross Polar Isolation                          | dB   | 28                                   |              |              |              |              |
| Interband Isolation                            | dB   | 28                                   |              |              |              |              |
| VSWR   | -    | 1.5                                  |              |              |              |              |
| Passive Intermodulation (3rd Order, 2 x 43dBm) | dBc  | -153                                 |              |              |              |              |
| Maximum Effective Power per Port               | Watt | 250                                  |              |              |              |              |

**ELECTRICAL SPECIFICATIONS**

| Electrical Specification Header                          |      | HIGH BAND ARRAY (1695-2690 MHZ) [Y2] |              |              |              |              |
|--|------|--------------------------------------|--------------|--------------|--------------|--------------|
| Frequency Band   | MHz  | 1695 - 1880                          | 1850 - 1990  | 1920 - 2170  | 2300 - 2400  | 2490 - 2690  |
| Gain Typical   | dBi  | 17.5                                 | 18.2         | 18.3         | 18.3         | 18.7         |
| Gain Over all Tilts                                      | dBi  | 17 +/- 0.5                           | 17.8 +/- 0.4 | 17.9 +/- 0.4 | 18 +/- 0.3   | 18.3 +/- 0.4 |
| Azimuth Beamwidth 3dB                                    | Deg  | 69.8 +/- 8.5                         | 63 +/- 5.1   | 63.5 +/- 3.7 | 64.5 +/- 3.2 | 63.8 +/- 2.1 |
| Elevation Beamwidth 3dB                                  | Deg  | 5.3 +/- 0.4                          | 5 +/- 0.4    | 4.7 +/- 0.5  | 4 +/- 0.2    | 3.8 +/- 0.2  |
| Cross Polar Discrimination at Boresight                  | dB   | 25.9                                 | 24.9         | 24.5         | 20.4         | 23.9         |
| Cross Polar Discrimination over Sector                   | dB   | 10.2                                 | 6.7          | 7.1          | 7.1          | 1.5          |
| F/B at +/-30deg Total Power                              | dB   | 21.2                                 | 25.7         | 27.4         | 24.1         | 20           |
| First Upper Side Lobe Suppression                        | dB   | 14.2                                 | 13.9         | 14.3         | 16.9         | 19.3         |
| Electrical Downtilt                                      | Deg  | 2 to 10                              |              |              |              |              |
| Cross Polar Isolation                                    | dB   | 28                                   |              |              |              |              |
| Interband Isolation                                      | dB   | 28                                   |              |              |              |              |
| VSWR   | -    | 1.5                                  |              |              |              |              |
| Passive Intermodulation (3rd Order, 2 x 43dBm);dBc;-153; | dBc  | -153                                 |              |              |              |              |
| Maximum Effective Power per Port                         | Watt | 250                                  |              |              |              |              |



**APXVBLL26B2\_43-C-I20**

6-Ports, X-Pol, Panel Antenna, 2.6m, 1x 690-960/2x 1695-2690MHz, 65deg, Integrated RET

**ELECTRICAL SPECIFICATIONS**

|              |     |      |
|--------------|-----|------|
| Impedance    | Ohm | 50   |
| Polarization | Deg | ±45° |

**MECHANICAL SPECIFICATIONS**

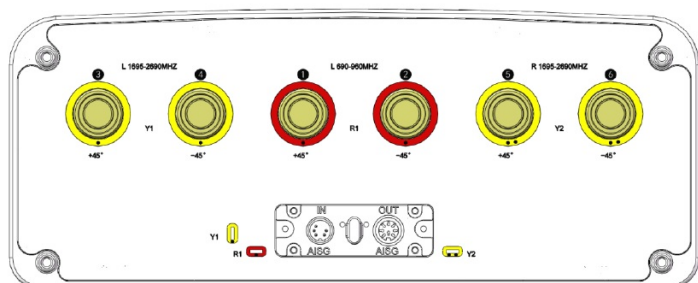
|                                 |         |   |
|---------------------------------|---------|---|
| Dimensions - H x W x D          | mm (in) | 2690 x 380 x 156 (105.9 x 15 x 6.1)                             |
| Weight (Antenna Only)           | kg (lb) | 28.5 (62.8)   |
| Weight (Mounting Hardware only) | kg (lb) | 5.5 (12.1)  |
| Packing size- HxWxD             | mm (in) | 2890 x 473 x 278 (113.8 x 18.6 x 10.9)                          |
| Shipping Weight                 | kg (lb) | 36.3 (80)   |
| Connector type                  |         | 6 x 4.3-10 female/bottom + 2 AISG connectors (1 male, 1 female) |
| Radome Material / Color         |         | Fiberglass / Light Gray   |

**TESTING AND ENVIRONMENTAL**

|                              |         |                         |
|------------------------------|---------|-------------------------|
| Temperature Range            | °C (°F) | -40 to 60 (-40 to 140 ) |
| Lightning protection         |         | DC Ground               |
| Survival/Rated Wind Velocity | km/h    | 200 (150 )              |
| Wind Load @Rated Wind Front  | N       | 870                     |
| Wind Load @Rated Wind Side   | N       | 450                     |
| Wind Load @Rated Wind Rear   | N       | 970                     |

**ORDERING INFORMATION**

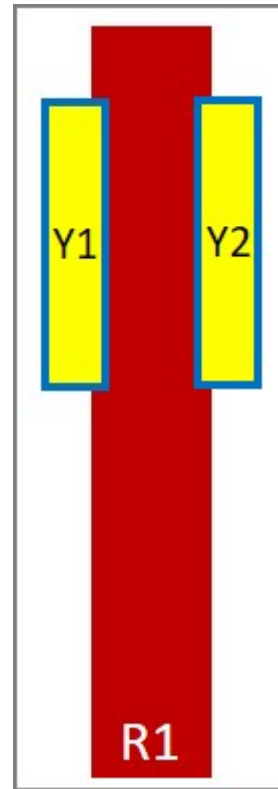
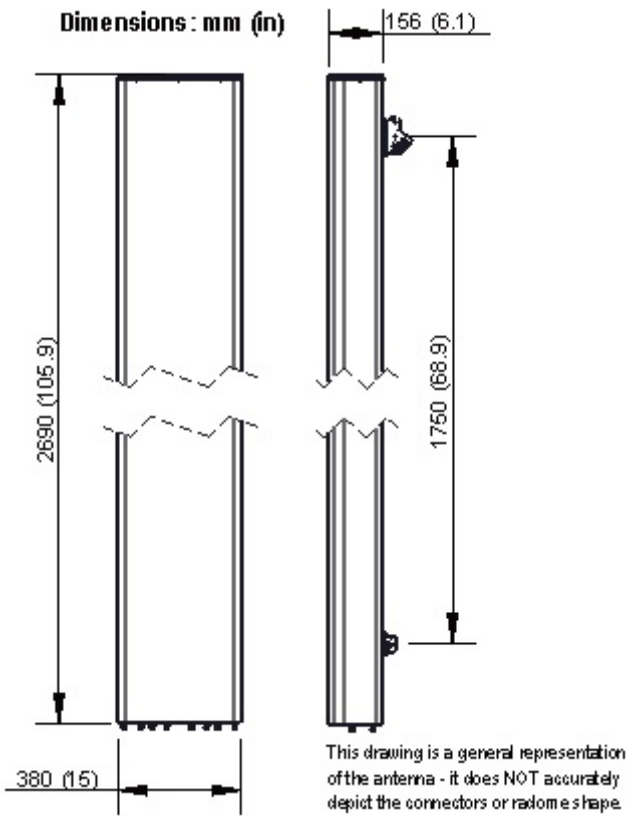
| Order No.            | Configuration               | Mounting Hardware | Mounting pipe Diameter | Shipping Weight |
|----------------------|-----------------------------|-------------------|------------------------|-----------------|
| APXVBLL26B2_43-C-I20 | Internal RET (ACU-I20-H12I) | APM50-H2          | 50-125 mm              | 36.3 Kg         |





APXVBLL26B2\_43-C-I20

6-Ports, X-Pol, Panel Antenna, 2.6m, 1x 690-960/2x 1695-2690MHz, 65deg, Integrated RET



External Document Links

[APM50\\_Series\\_Installation\\_Instructions](#)

Notes

- All electrical parameters are compliant with BASTA NGMN 11.1 requirements.
- For additional mounting information please click "External Document Links".
- **Radiating patterns:** [Request pattern files](#)