



FEATURES / BENEFITS

- 2 ports / 1 cross pol system in low band (690-960MHz)
- 4 ports / 2 cross pol systems in high band (1695-2690MHz)
- Supporting 4x4 MIMO in high band
- Integrated and field replaceable SRET
- ACU HW Version -HRLS200608H1.00
- Compliant with AISG V2.0 and 3GPP



Technical features

ELECTRICAL SPECIFICATIONS

Electrical Specification Header		Low Band Array (690-960 MHz) [R1]		
Frequency Band	MHz	690 - 806	790 - 894	880 - 960
Gain Typical	dBi	16.8	17.3	17.8
Gain Over all Tilts	dBi	16.3 +/- 0.5	16.8 +/- 0.5	17.3 +/- 0.5
Azimuth Beamwidth 3dB	Deg	67.4 +/- 1.5	65.1 +/- 2	61.2 +/- 1.5
Elevation Beamwidth 3dB	Deg	8.6 +/- 0.5	7.8 +/- 0.5	7.1 +/- 0.5
Cross Polar Discrimination at Boresight	dB	26	27	27
Cross Polar Discrimination over Sector	dB	10	10	9
F/B at +/-30deg Total Power	dB	25	24	24
First Upper Side Lobe Suppression	dB	16	17	19.1
Electrical Downtilt	Deg	2 to 12		
Cross Polar Isolation	dB	28		
Interband Isolation	dB	28		
VSWR	-	1.5		
Passive Intermodulation (3rd Order, 2 x 43dBm)	dBc	-153		
Maximum Effective Power per Port	Watt	250		



ELECTRICAL SPECIFICATIONS

Electrical Specification Header		High Band Left Array (1695-2690 MHz) [Y1]				
Frequency Band	MHz	1695 - 1880	1850 - 1990	1920 - 2170	2300 - 2400	2490 - 2690
Gain Typical	dBi	16.9	17.1	17.9	17.6	17.8
Gain Over all Tilts	dBi	16.4 +/- 0.5	16.6 +/- 0.5	16.9 +/- 1	17.1 +/- 0.5	17.3 +/- 0.5
Azimuth Beamwidth 3dB	Deg	70.8 +/- 6	65.7 +/- 6.5	66.6 +/- 5.2	68 +/- 2	64.6 +/- 5.3
Elevation Beamwidth 3dB	Deg	6.2 +/- 0.5	5.9 +/- 0.1	5.5 +/- 0.5	5 +/- 0.1	4.8 +/- 0.5
Cross Polar Discrimination at Boresight	dB	23	23	23	24.1	24
Cross Polar Discrimination over Sector	dB	10	8	9	11.4	5
F/B at +/-30deg Total Power	dB	21.5	24.9	25	25	21
First Upper Side Lobe Suppression	dB	16.7	20	20	21	18.1
Electrical Downtilt	Deg	2 to 12				
Cross Polar Isolation	dB	28				
Interband Isolation	dB	28				
VSWR	-	1.5				
Passive Intermodulation (3rd Order, 2 x 43dBm)	dBc	-153				
Maximum Effective Power per Port	Watt	200				

ELECTRICAL SPECIFICATIONS

Electrical Specification Header		High Band Right Array (1695-2690 MHz) [Y2]				
Frequency Band	MHz	1695 - 1880	1850 - 1990	1920 - 2170	2300 - 2400	2490 - 2690
Gain Typical	dBi	17	17.2	17.9	17.8	18
Gain Over all Tilts	dBi	16.5 +/- 0.5	16.7 +/- 0.5	16.9 +/- 1	17.3 +/- 0.5	17.5 +/- 0.5
Azimuth Beamwidth 3dB	Deg	70.5 +/- 7.2	65.7 +/- 6.5	66.1 +/- 5.2	66 +/- 1.7	63.4 +/- 4.1
Elevation Beamwidth 3dB	Deg	6.2 +/- 0.5	5.8 +/- 0.5	5.5 +/- 0.5	5 +/- 0.1	4.8 +/- 0.5
Cross Polar Discrimination at Boresight	dB	21.4	25.2	24	24.5	24
Cross Polar Discrimination over Sector	dB	10	7.5	9	11	2
F/B at +/-30deg Total Power	dB	22	25	26	24	21
First Upper Side Lobe Suppression	dB	16	17.4	19	17.4	18
Electrical Downtilt	Deg	2 to 12				
Cross Polar Isolation	dB	28				
Interband Isolation	dB	28				
VSWR	-	1.5				
Passive Intermodulation (3rd Order, 2 x 43dBm)	dBc	-153				
Maximum Effective Power per Port	Watt	200				



APXVBLL26H_43-C-I20

6-Ports, X-Pol, Panel Antenna, 2.6m, 1x 690-960/2x 1695-2690MHz, 65deg, Integrated RET

ELECTRICAL SPECIFICATIONS

Impedance	Ohm	50
Polarization	Deg	±45°

MECHANICAL SPECIFICATIONS

Dimensions - H x W x D	mm (in)	2498 x 378 x 158 (98.3 x 14.9 x 6.2)
Weight (Antenna Only)	kg (lb)	25.9 (57.1)
Weight (Mounting Hardware only)	kg (lb)	4 (8.8)
Packing size- HxWxD	mm (in)	2678 x 473 x 278 (105.4 x 18.6 x 10.9)
Shipping Weight	kg (lb)	36.5 (80.5)
Connector type		6x 4.3-10 female/bottom + 2 AISG connectors (1 male, 1 female)
Radome Material / Color		Fiberglass / Light Grey RAL7035

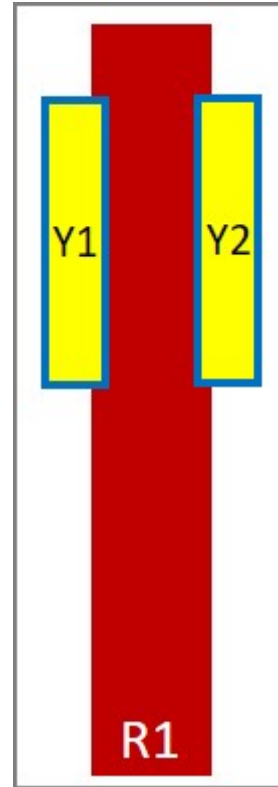
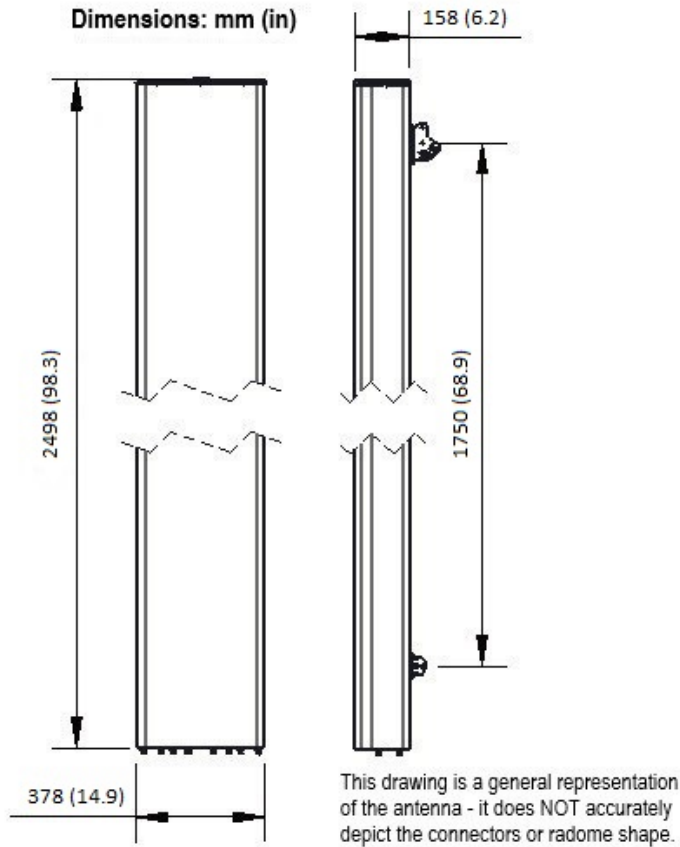
TESTING AND ENVIRONMENTAL

Temperature Range	°C (°F)	-40 to 60 (-40 to 140)
Lightning protection		DC Ground
Survival/Rated Wind Velocity	km/h	200 (150)
Wind Load @Rated Wind Front	N	616
Wind Load @Rated Wind Side	N	551
Wind Load @Rated Wind Rear	N	714

ORDERING INFORMATION

Order No.	Configuration	Mounting Hardware	Mounting pipe Diameter	Shipping Weight
APXVBLL26H_43-C-I20	Internal RET(ACU-I20-H12I)	APM50-H1	50-125mm	36.5 kg





External Document Links

[APM50_Series_Installation_Instructions](#)

Notes

- All electrical parameters are compliant with BASTA NGMN 11.1 requirements.
- For additional mounting information please click "External Document Links".
- **Radiating patterns:** [Request pattern files](#)