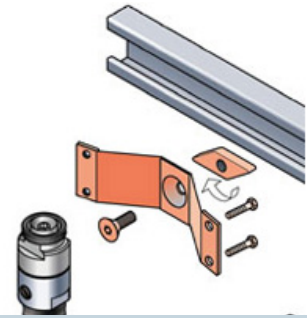




Connector grounding kit for UCF/LCFS114 connectors

FEATURES / BENEFITS

These connector grounding kit provide direct connector grounding for instance an anchor bar. The assembly or disassembly is quick and easy while providing mechanical fixture and reliable ground path at the same time. All components are made of Stainless steel.



External Document Links

Notes

Technical features

STRUCTURE

Product Line		Coaxial Cable Accessories
Type of Grounding Kit		Connector grounding kit
Transmission Line Type		LCF114, LCFS114, UCF114
Cable Type		Coaxial Foam Dielectric
Cable Size		1-1/4"
Number of Cable / Waveguide Runs		1
Material		Stainless Steel

TEMPERATURE SPECIFICATIONS

Operation Temperature	°C (°F)	-50 to 85 (-58 to 185)
Storage Temperature	°C (°F)	-50 to 85 (-58 to 185)

PACKAGING INFORMATION

Package Quantity		1
------------------	--	---