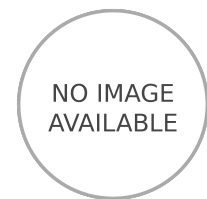




Rectangular Waveguide WR 137 E-Bend 90 degree,
 flanges CPR137G/CPR137G, f= 5.38-8.17 GHz,
 VSWR max 1.06, A=100mm (4"),
 gasket and screw kit enclosure
 body made out of brass or copper and flanges made out of brass



FEATURES / BENEFITS

Waveguide installation

- The rectangular waveguide component provides simple installation in particular difficult cases
- It can be installed where less space is available
- It provides outstanding electrical performance

Technical features

STRUCTURE

Type of Rectangular Waveguide Component		Bend in E-Plane
Waveguide Size IEC (EIA)		R70 (WR137)
Flange A		CPR137G
Flange B		CPR137G
Flange Finish		Brass un-plated
Package Quantity		1

ELECTRICAL SPECIFICATIONS

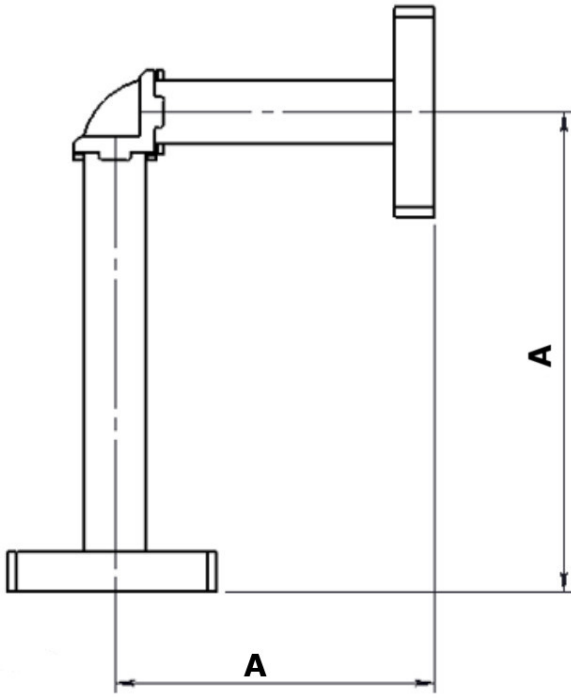
Minimum Return Loss (max. VSWR)	dB (VSWR)	30.7 (1.06)
---------------------------------	-----------	-------------

MECHANICAL SPECIFICATIONS

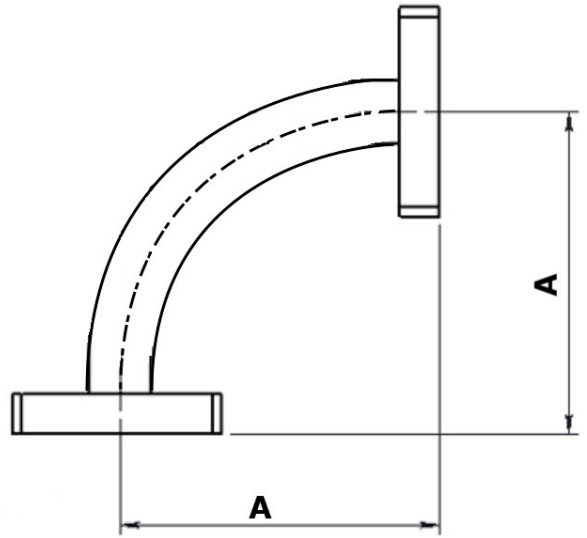
Bend/Twist	degree	90
Length	mm (in)	100 (4)

MATERIAL

Material		Brass
Color		White



Design with casted bend



Design with accurate waveguide bend

External Document Links

Notes