

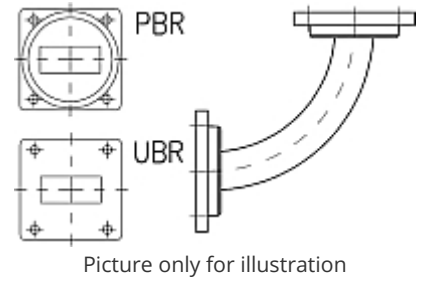


Rectangular Waveguide R 100 E-Bend 90 degree,  
flanges CPR90G/CPR90G, f= 8.20-12.50 GHz,  
VSWR max 1.06, A=100mm (4"),  
gasket and screw kit enclosure  
body made out of brass or copper and flanges made out of brass

**FEATURES / BENEFITS**

Waveguide installation

- The rectangular waveguide component provides simple installation in particular difficult cases
- It can be installed where less space is available
- It provides outstanding electrical performance



**Technical features**

**STRUCTURE**

Type of Rectangular Waveguide Component		Bend in E-Plane
Waveguide Size IEC (EIA)		R100 (WR90)
Flange A		CPR90G
Flange B		CPR90G
Flange Finish		Brass un-plated
Package Quantity		1

**ELECTRICAL SPECIFICATIONS**

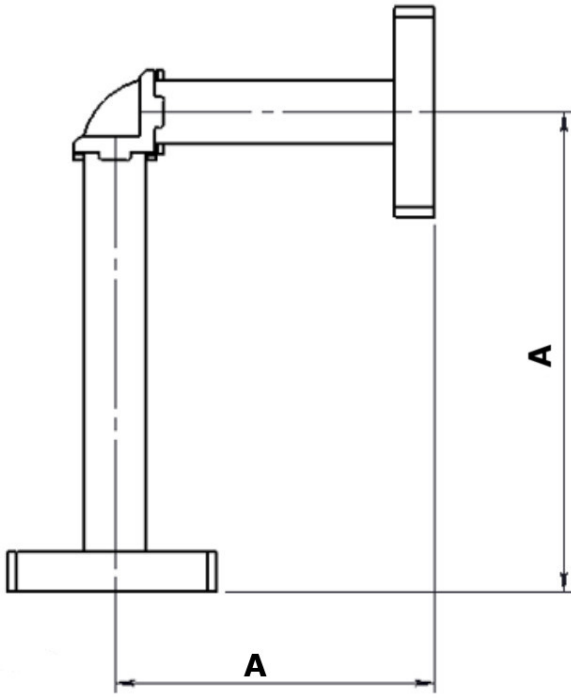
Minimum Return Loss (max. VSWR)	dB (VSWR)	30.7 (1.06)
---------------------------------	-----------	-------------

**MECHANICAL SPECIFICATIONS**

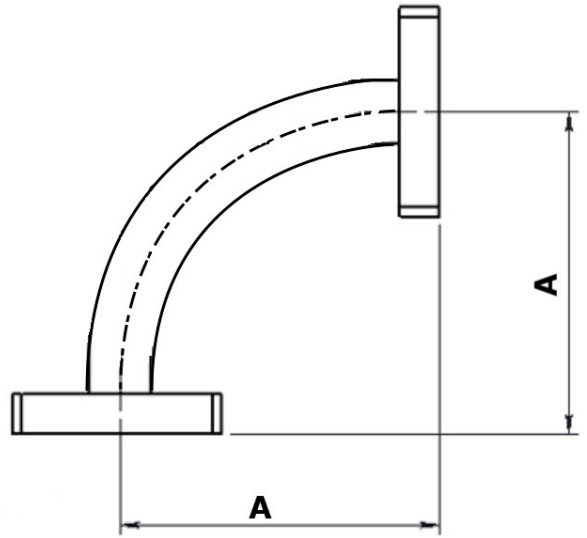
Bend/Twist	degree	90
Length	mm (in)	100 (4)

**MATERIAL**

Material		Brass
Color		White



Design with casted bend



Design with accurate waveguide bend

External Document Links

Notes